



HYMAX® GRIP REDUCER

(40mm - 300mm) Currently available in sizes 40mm-150mm

PRODUCT SPECIFICATIONS

FEATURES

- JOINS AND RESTRAINS A WIDE RANGE OF PIPING TYPES AND DIFFERENT DIAMETERS
- UNIQUE RADIAL GRIPPING SYSTEM PREVENTS PIPE MOTION
- UNIVERSAL GRIPPING TEETH FIT METAL AND PLASTIC PIPES
- READY TO USE, STAB-FIT DESIGN
- ALLOWS 4° DYNAMIC DEFLECTION PER END, REDUCING FUTURE DAMAGE
- DURABLE DUCTILE IRON BODY
- PATENTED PROGRESSIVE PRESSURE-ASSISTED GASKET WITH 2-STAGE SEALING

SPECIFICATIONS (*)

STANDARDS

ALL PRODUCTS MEET OR EXCEED STANDARDS NSF-61 AND NSF-372.

SIZE

AVAILABLE IN NOMINAL DIAMETER SIZES 40mm – 300mm.

RANGES

26mm - 28mm: NOMINAL DIAMETERS 40mm – 100mm.
32mm: NOMINAL DIAMETERS 125mm – 175mm.
50mm: NOMINAL DIAMETERS 175mm – 300mm.

MATERIALS

END RINGS

40mm – 80mm: CAST STEEL ASTM A216 WCB.
100mm – 300mm: DUCTILE IRON CASTING ASTM A536 GRADE 60-40-18.

CENTER RING

40mm – 300mm: DUCTILE IRON CASTING ASTM A536 GRADE 65-45-12.
PRODUCT SIZES 40mm – 300mm WITH HANDLE.

GASKET

EPDM COMPOUNDED FOR WATER AND SEWERAGE, MEETS INTERNATIONAL STANDARDS FOR CONTACT WITH DRINKING WATER: NSF-61, KTW, W270, XP P 41-250, AND BS 6920. MEETS DIN EN 681-1 FOR WATER AND DRAINAGE APPLICATIONS.

GRIP CHAIN

SIZE	40mm – 80mm	100mm – 175mm	175mm – 300mm
MATERIAL	AISI-440C	AISI-420 2B	AISI-420

BRIDGE

AISI 304 STAINLESS STEEL.

SPHERICAL SPACERS

AISI 304L STAINLESS STEEL.

COATING

100% FUSION BONDED EPOXY FOR ENHANCED CORROSION PROTECTION. AVERAGE THICKNESS 250 MICRON. MEETS NSF-61, BS 6920, W270, ONORM B 5014-1, XP P 41-250, AS/NZS 4020, AND UBA-COATINGS GUIDELINE.

NUTS AND BOLTS

AISI 304 STAINLESS STEEL. ROLLED THREAD AND ANTI-GALLING COATING.

* For details about Made to Order (MTO) products please contact your KRAUSZ distributor.



HYMAX[®] GRIP REDUCER

(40mm - 300mm) Currently available in sizes 40mm-150mm

PRODUCT SPECIFICATIONS

PRODUCT PERFORMANCE (*)

WORKING TEMPERATURE

EPDM GASKET

CONTINUOUS OPERATION | -30°C UP TO +85°C
SHORT TIME OPERATION | -30°C UP TO +100°C

EPOXY COATING

ABOVE GROUND APPLICATIONS | UP TO +50°C
BELOW GROUND APPLICATIONS | UP TO +65°C

DYNAMIC DEFLECTION

UP TO 4° PER SIDE

MIN. PIPE INSERTION

RANGE | ≤ 32mm | 50mm
MIN. PIPE INSERTION | 95mm | 125mm

MAX. OFFSET FOR MISALIGNED PIPE

40mm – 300mm
6mm

MAX. OUT OF ROUNDNESS

NOMINAL DIAMETER | ≤ 80mm | ≥ 100mm
OUT OF ROUNDNESS | 3mm | 4mm

WORKING PRESSURE

40mm – 300mm
16 BAR

RATED PRESSURE

1.5 X WORKING PRESSURE

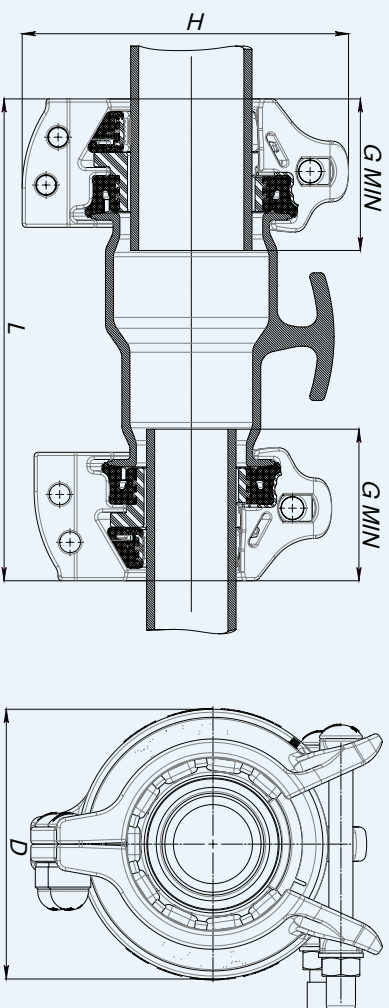
VACUUM TEST

0.8 BAR

* See Submittal Drawings For Details.

PRODUCT TABLES

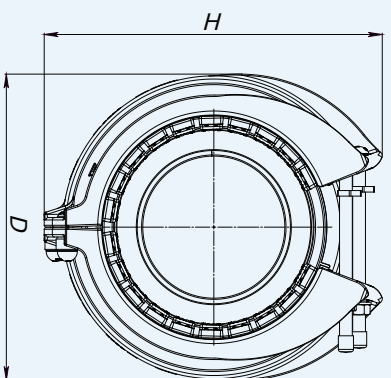
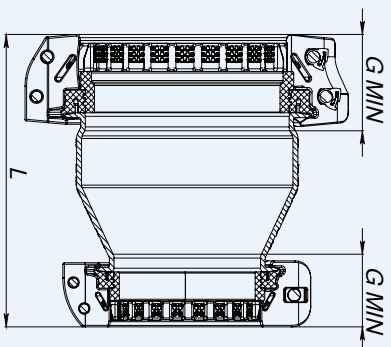
HYMAX GRIP REDUCER 40-175



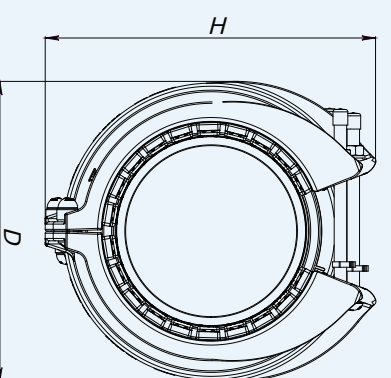
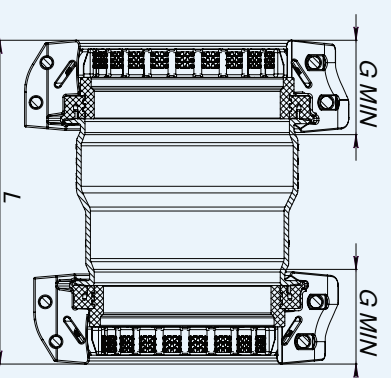
**HYMAX GRIP REDUCER NOMINAL SIZES 40-175mm
CURRENTLY AVAILABLE UP TO DN 150mm**

Krausz Part Number	DN (mm)	Range 1			Range 2			L (mm)	H (mm)	D (mm)	Bolts qty.-Size	Torque (Nm)	Approx Weight (kg)
		Overall Range (mm)	Before removal of inner layer (mm)	After removal of inner layer (mm)	Overall Range (mm)	Before removal of inner layer (mm)	After removal of inner layer (mm)						
8638250039005916	(40/50) x 65	39-67	39-56	55-67	59-87	59-76	75-87	302	204,5	157	2-M14	70	8.33
8638250059008016	65 x 80	59-87	59-76	75-87	80-106	80-95	94-106	302	230	176	2-M14	70	11.21
8638250104008016	80 x 100	80-106	80-95	94-106	104-130	104-118	117-130	318	249	201	2-M16 2-M16	100	12.15
8638250130010416	100 x 125	104-130	104-118	117-130	130-162	130-146	145-162	324	299	253	2-M16	110	17.1
8638250158010416	100 x 150	104-130	104-118	117-130	158-190	158-174	173-190	334	325	278	2-M16	110	17.38
8638250158013016	125 x 150	130-162	130-146	145-162	158-190	158-174	173-190	361	325	278	2-M16	110	20.35
8638250198015816	150 x 175	158-190	158-174	173-190	198-230	198-214	213-230	362	369	322	2-M16	110	24

HYMAX GRIP REDUCER 150&200



HYMAX GRIP REDUCER 175-300



HYMAX GRIP REDUCER NOMINAL SIZES 150-300mm | coming soon

Krausz Part Number	DN (mm)	Range 1			Range 2			L (mm)	H (mm)	D (mm)	Bolts Qty. - Size	Torque (Nm)	Approx Weight (kg)
		Overall Range (mm)	Before removal of inner layer (mm)	After removal of inner layer (mm)	Overall Range (mm)	Before removal of inner layer (mm)	After removal of inner layer (mm)						
8638250214015816	150 X 200	158-190	158-174	173-190	214-264	214-239	238-264	383	424	380	3-M16	110 120	35.03
8638250214019016	175 X 200	190-240	190-215	214-240	214-264	214-239	238-264	423	424	380	4-M16	110 120	46.78
8638250266021416	200 X 250	214-264	214-239	238-264	266-316	266-291	290-316	423	480	433	4-M16	120	53.29
8638250312026616	250 X 300	266-316	266-291	290-316	312-362	312-337	336-362	423	525	479	4-M16	120 160	61.5