



HYMAX GRIP® FLANGE ADAPTOR*

(80mm - 300mm)



PRODUCT SPECIFICATIONS

FEATURES

- JOINS AND RESTRAINS A WIDE RANGE OF PIPING TYPES AND DIAMETERS WITH FLANGED DEVICES
- UNIQUE RADIAL GRIPPING SYSTEM PREVENTS PIPE MOTION
- UNIVERSAL GRIPPING TEETH FIT METAL AND PLASTIC PIPES
- READY TO USE, STAB-FIT DESIGN
- ALLOWS 4° DYNAMIC DEFLECTION, REDUCING FUTURE DAMAGE
- DURABLE DUCTILE IRON BODY
- PATENTED PROGRESSIVE PRESSURE-ASSISTED GASKET WITH 2-STAGE SEALING

SPECIFICATIONS (**)

STANDARDS

ALL PRODUCTS MEET OR EXCEED STANDARDS NSF-61 AND NSF-372.
PRODUCTS WERE APPROVED BY 3RD PARTY ILAC LAB ACCORDING TO EN 14525.

SIZE

AVAILABLE IN NOMINAL DIAMETER SIZES 80mm – 300mm.

RANGES

26mm: NOMINAL DIAMETERS 80mm – 100mm.
32mm: NOMINAL DIAMETERS 125mm – 175mm.
50mm: NOMINAL DIAMETERS 175mm – 300mm.

MATERIALS

FLANGED BODY

80mm – 300mm: DUCTILE IRON CASTING ASTM A536 GRADE 65-45-12.

FLANGES

COMPATIBLE WITH EN 1092-1 PN10/16.
ANSI 125 AND 150, BSTD BOLT PATTERNS.

END RINGS

80mm: CAST STEEL ASTM A216 WCB.
100mm – 300mm: DUCTILE IRON CASTING ASTM A536 GRADE 60-40-18.

GASKET

EPDM COMPOUNDED FOR WATER AND SEWERAGE, MEETS INTERNATIONAL STANDARDS FOR CONTACT WITH DRINKING WATER: SF-61, KTW-UBA ELASTOMER GUIDELINE, W270, XP P 41-250, AS/NZS 4020, AND BS 6920. MEETS DIN EN 681-1 FOR WATER AND DRAINAGE APPLICATIONS.

GRIP CHAIN

SIZE	80mm	100mm - 175mm	175mm - 300mm
MATERIAL	AISI-440C	AISI-420 2B	AISI-420

BRIDGE

AISI 304/316 STAINLESS STEEL.

SPHERICAL SPACERS

AISI 304/316 STAINLESS STEEL.

COATING

100% FUSION BONDED EPOXY FOR ENHANCED CORROSION PROTECTION. AVERAGE THICKNESS 250 MICRON. MEETS NSF-61, BS 6920, W270, ONORM B 5014-1, XP P 41-250, AS/NZS 4020, AND UBA-COATINGS GUIDELINE.

* The product is protected by various patents registered in various countries.

** For details about Made to Order (MTO) products please contact your KRAUSZ distributor.

PRODUCT PERFORMANCE

NUTS AND BOLTS

ANSI 304/316 STAINLESS STEEL. ROLLED THREAD AND ANTI-GALLING COATING.

WORKING TEMPERATURE

EPDM GASKET

CONTINUOUS OPERATION | -30°C UP TO +85°C
SHORT TIME OPERATION | -30°C UP TO +100°C

EPOXY COATING

ABOVE GROUND APPLICATIONS | UP TO +50°C
BELOW GROUND APPLICATIONS | UP TO +65°C

DYNAMIC DEFLECTION

UP TO 4°

MIN. PIPE INSERTION

RANGE | ≤ 32mm | 50mm
MIN. PIPE INSERTION | 95mm | 125mm

MAXIMUM OFFSET FOR MISALIGNED PIPES

80mm - 300mm
3 mm

MAXIMUM OUT OF ROUNDNESS

RANGE	≤ 32mm		50mm
NOMINAL DIAMETER	80mm	100-175mm	≥175mm
OUT OF ROUNDNESS	3mm	4mm	5mm

WORKING PRESSURE

16 BAR

RATED PRESSURE

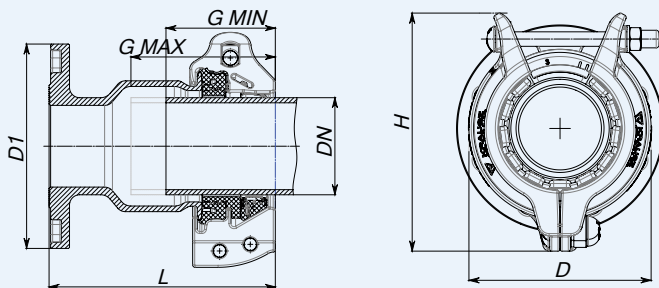
24 BAR

VACUUM TEST

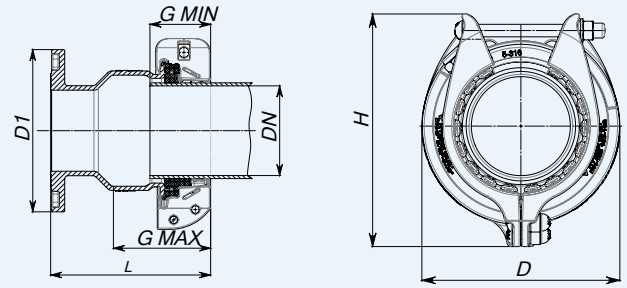
0.8 BAR

PRODUCT TABLES

HYMAX GRIP FLANGE ADAPTOR 80



HYMAX GRIP FLANGE ADAPTOR 100-175



HYMAX GRIP FLANGE ADAPTOR NOMINAL SIZES 80-175mm

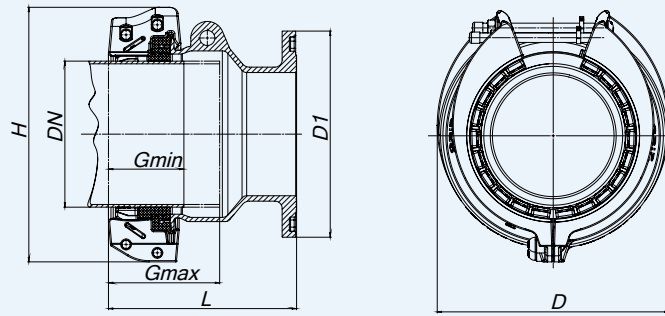
X=5 -> 304 STAINLESS STEEL

X=7 -> 316 STAINLESS STEEL

Krausz Part Number	DN (mm)	Flange (mm)	Overall Range (mm)	Before removal of inner layer (mm)	After removal of inner layer (mm)	L (mm)	D (mm)	H (mm)	D1 (mm)	G-Max Stab Depth (mm)	Bolts Qty.-Size	Torque (N-m)	Weight (kg)
130-82X-030080-16	80	80	80-106	80-95	94-106	222	176	230	200	140	1-M14	90	9.64
130-82X-04104-16	100	100	104-130	104-118	117-130	221	199	249	229	140	1-M16	100	11.2
130-82X-05130-16	125	125	130-162	130-146	145-162	250	253	299	254	150	1-M16	110	15.8
130-82X-06158-16	150	150	158-190	158-174	173-190	260	280	330	285	155	1-M16	130	18.7
130-82X-07198-16	175	175	198-230	198-214	213-230	282	324	375	315	155	1-M16	130	24
130-82X-08198-16	175	200	198-230	198-214	213-230	282	324	375	343	155	1-M16	130	25.1

PRODUCT TABLES

HYMAX GRIP FLANGE ADAPTOR 175-300



X=5 -> 304 STAINLESS STEEL

X=7 -> 316 STAINLESS STEEL

HYMAX GRIP FLANGE ADAPTOR NOMINAL SIZES 175-300mm

Krausz Part Number	DN (mm)	Flange (mm)	Overall Range (mm)	Before removal of inner layer (mm)	After removal of inner layer (mm)	L (mm)	D (mm)	H (mm)	D1 (mm)	G-Max Stab Depth (mm)	Bolts Qty.-Size	Torque (N-m)	Weight (kg)
130-82X-07190-16	175	175	190-240	190-215	214-240	313	366	398	315	185	2-M16	120	32.9
130-82X-08190-16	175	200	190-240	190-215	214-240	313	366	398	343	185	2-M16	120	33
130-82X-08214-16	200	200	214-264	214-239	238-264	313	390	424	343	185	2-M16	140	37.7
130-82X-10266-16	250	250	266-316	266-291	290-316	329	442	480	407	190	2-M16	140	49.3
130-82X-12312-16	300	300	312-362	312-337	336-362	329	489	525	483	190	2-M16	180	57.9