

# REPAMAX<sup>®</sup>

(40mm - 1800mm EPDM GASKET)



## PRODUCT SPECIFICATIONS

### FEATURES

- UNIQUE VERSATILE COUPLING, CAN BE STAB FIT OR WRAPPED AROUND PIPE
- DURABLE STAINLESS STEEL, MONOBLOCK DESIGN
- ALLOWS 3° DYNAMIC DEFLECTION PER END, REDUCING FUTURE PIPE DAMAGE
- FAST AND EASY TO INSTALL
- SUBSTANTIALLY REDUCES INVENTORY
- DURABLE UNDER EXTREME CONDITIONS
- DN 40mm - 600mm – ONE CLOSING MECHANISM. DN 650mm - 1800mm – TWO CLOSING MECHANISMS
- AVAILABLE IN STANDARD AND HIGH-PRESSURE VERSIONS

### SPECIFICATIONS (\*)

#### RANGE/SIZE

STANDARD SIZES AVAILABLE IN NOMINAL DIAMETERS OF 40mm – 600mm.  
650mm – 1800mm ARE MTO (MADE TO ORDER).  
RANGE 12mm AVAILABLE IN SIZES 40mm – 80mm.  
RANGE 22mm AVAILABLE IN SIZES 80mm – 400mm.  
RANGE 32mm AVAILABLE IN SIZES 150mm – 600mm.  
RANGE 10mm AVAILABLE IN SIZES 650mm – 1800mm.

#### RANGE/LENGTH

RANGE 12mm AVAILABLE IN LENGTHS 140mm AND 280mm.  
RANGE 22mm AVAILABLE IN LENGTHS 140mm, 210mm, AND 280mm.  
RANGES 10mm AND 32mm BOTH AVAILABLE IN LENGTHS 210mm AND 280mm.

#### MATERIALS

##### BODY

STAINLESS STEEL AISI 304.

##### LUG MATERIAL

40mm – 300mm: POLYCARBONATE.  
350mm – 1800mm: REG. PRESSURE PRODUCTS USE POLYCARBONATE.\*\*  
350mm – 1800mm: HIGH PRESSURE PRODUCTS USE STAINLESS STEEL.  
AIS I 304 CASTING (ASTM-A351-CF8).

##### COMPRESSION BEAM & ADJUSTING PIN

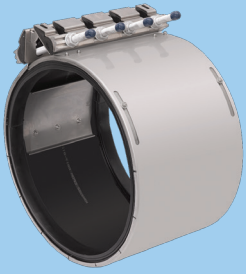
CASTING AISI 304 (ASTM-A351-CF8).

##### GASKET

EPDM COMPOUNDED FOR WATER AND SEWERAGE – AVAILABLE IN ALL RANGES. MEETS INTERNATIONAL STANDARDS FOR CONTACT WITH DRINKING WATER: KTW, W270, XP P 41-250, AND BS 6920. ALSO MEETS DIN EN 681-1 FOR WATER AND DRAINAGE APPLICATIONS.

\* For details about Made to Order (MTO) products please contact your KRAUSZ distributor.

\*\* DN 300mm, at Range 22, and Lengths 210mm and 280mm, also uses Stainless Steel Lugs.



# REPAMAX<sup>®</sup>

(40mm - 1800mm EPDM GASKET)



## PRODUCT SPECIFICATIONS

### SPECIFICATIONS (\*)

#### MATERIALS

- GASKET BRIDGE** AISI 304 STAINLESS STEEL.
- INNER PLATE** AISI 304 STAINLESS STEEL.
- INNER PLATE BOLTS** 40mm – 600mm: AISI 316 SCREW INSULATED WITH ULTEM RESIN 1000.  
650mm – 1800mm: AISI 316 SCREW.
- NUTS AND BOLTS** AISI 304 STAINLESS STEEL. ROLLED THREAD AND ANTI-GALLING COATING.

#### PRODUCT PERFORMANCE (\*\*)

- WORKING TEMPERATURE** CONTINUOUS OPERATION | -30°C UP TO +85°C  
SHORT TERM OPERATION | UP TO +100°C
- FLEXIBLE DYNAMIC DEFLECTION** 3° ON EACH SIDE
- TRANSITION CAPABILITY** UP TO 10mm. SEE SUBMITTAL DRAWINGS FOR DETAILS ON SPECIFIC PRODUCT SIZES.
- MIN. PIPE INSERTION** 45mm – 75mm. SEE SUBMITTAL DRAWINGS FOR DETAILS ON SPECIFIC PRODUCT SIZES.
- MAX. CRACK WIDTH** PRODUCT LENGTH (mm) | 140 | 210 | 280  
CRACK WIDTH (mm) | 65 | 130 | 205
- MAX. OUT OF ROUNDNESS**

40mm – 125mm	150mm – 600mm	650mm – 1800mm
6mm	Range 22   Range 32	5mm
	6mm   8mm	
- MAX. OFFSET FOR MISALIGNED PIPE** PRODUCT LENGTH (mm) | 140 | 210 & 280  
MAX. OFFSET (mm) | UP TO 6 | UP TO 10
- VACUUM TEST** 0.8 BAR

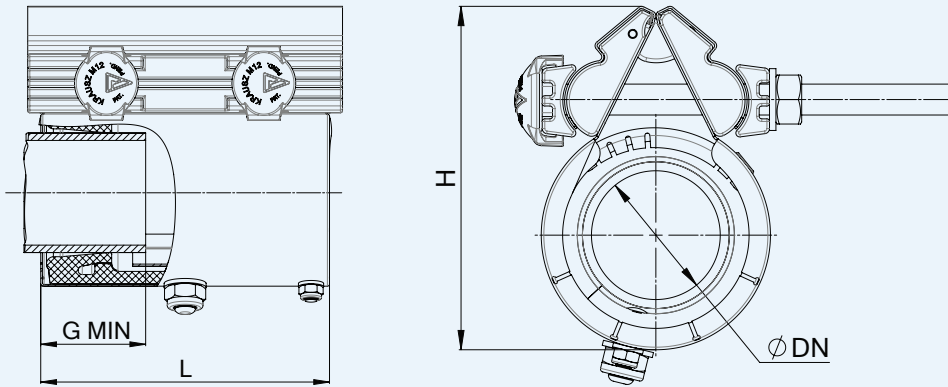
WORKING PRESSURE	40mm – 125mm		150mm – 500mm		600mm		650mm – 1800mm
	WORKING PRESSURE	RATED PRESSURE	WORKING PRESSURE	RATED PRESSURE	WORKING PRESSURE	RATED PRESSURE	
REG. PRESSURE (BAR)	16	24	12	18	11	16	SEE SUBMITTAL DRAWINGS FOR DETAILS
HIGH PRESSURE (BAR)	24	36	16	24	16	24	

\* For details about Made to Order (MTO) products please contact your KRAUSZ distributor.

\*\* See Submittal Drawings For Details.

## PRODUCT TABLES - RANGE 12mm

### DN 40-80, LENGTH 140



### NOMINAL SIZES 40-80mm 16 BAR

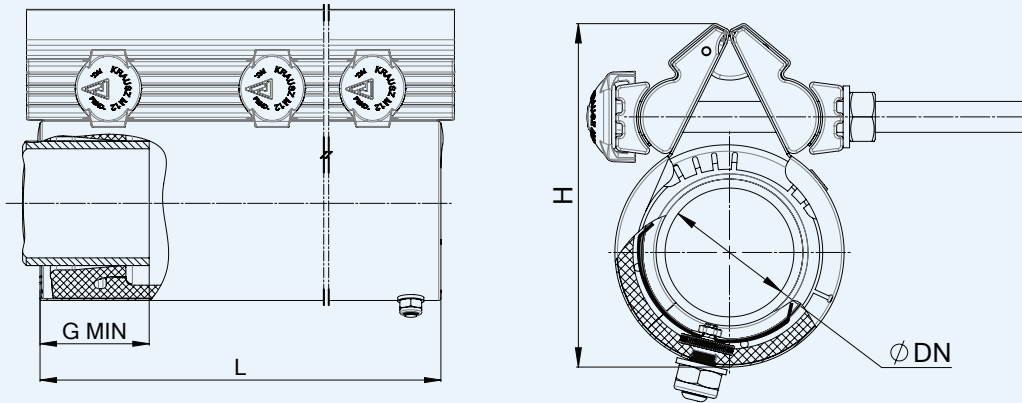
Krausz Part Number	DN (mm)	Overall Range (mm)	H (mm)	L (mm)	Bolts Qty. -Size	Bolt Length (mm)	Torque (Nm)	Approx. Weight (kg)
114-812-0045-16	40	45-57	125	140	2 -M12	160	50	1.92
114-812-0052-16	50	52-64	135	140	2 -M12	160	50	1.97
114-812-0059-16	50	59-71	140	140	2 -M12	160	50	2.04
114-812-0071-16	65	71-84	155	140	2 -M12	160	50	2.14
114-812-0081-16	80	81-93	165	140	2 -M12	160	50	2.19

### NOMINAL SIZES 40-80mm 24 BAR

Krausz Part Number	DN (mm)	Overall Range (mm)	H (mm)	L (mm)	Bolts Qty. -Size	Bolt Length (mm)	Torque (Nm)	Approx. Weight (kg)
114-812-0045-24	40	45-57	125	140	2 -M12	160	50	2.02
114-812-0052-24	50	52-64	135	140	2 -M12	160	50	2.09
114-812-0059-24	50	59-71	140	140	2 -M12	160	50	2.17
114-812-0071-24	65	71-84	155	140	2 -M12	160	50	2.3
114-812-0081-24	80	81-93	165	140	2 -M12	160	50	2.33

## PRODUCT TABLES - RANGE 12mm

### DN 40-80, LENGTH 280



### NOMINAL SIZES 40-80mm 16 BAR

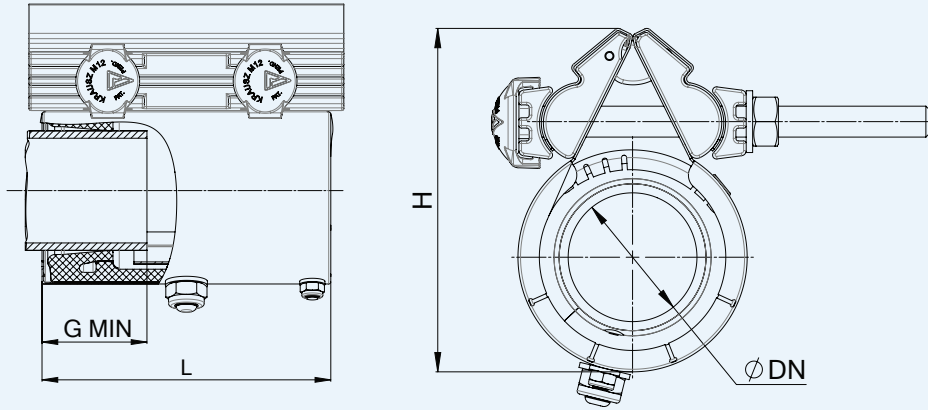
Krausz Part Number	DN (mm)	Overall Range (mm)	H (mm)	L (mm)	Bolts Qty. -Size	Bolt Length (mm)	Torque (Nm)	Approx. Weight (kg)
116-812-0045-16	40	45-57	125	280	4 -M12	160	50	3.9
116-812-0052-16	50	52-64	135	280	4 -M12	160	50	4
116-812-0059-16	50	59-71	140	280	4 -M12	160	50	4.2
116-812-0071-16	65	71-84	155	280	4 -M12	160	50	4.4
116-812-0081-16	80	81-93	165	280	4 -M12	160	50	4.5

### NOMINAL SIZES 40-80mm 24 BAR

Krausz Part Number	DN (mm)	Overall Range (mm)	H (mm)	L (mm)	Bolts Qty. -Size	Bolt Length (mm)	Torque (Nm)	Approx. Weight (kg)
116-812-0045-24	40	45-57	125	280	4 -M12	160	50	4.1
116-812-0052-24	50	52-64	135	280	4 -M12	160	50	4.2
116-812-0059-24	50	59-71	140	280	4 -M12	160	50	4.4
116-812-0071-24	65	71-84	155	280	4 -M12	160	50	4.6
116-812-0081-24	80	81-93	165	280	4 -M12	160	50	4.7

## PRODUCT TABLES - RANGE 22mm

### DN 80-300, LENGTH 140



### NOMINAL SIZES 80-300mm 16 BAR

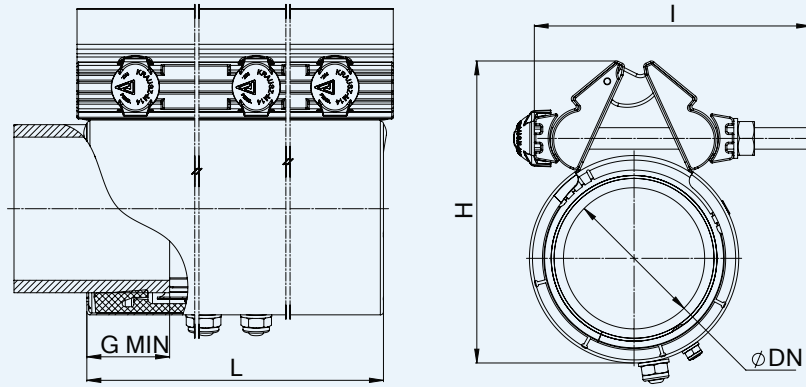
Krausz Part Number	DN (mm)	Overall Range (mm)	H (mm)	L (mm)	Bolts Qty. -Size	Bolt Length (mm)	Torque (Nm)	Approx. Weight (kg)
287-812-0087-16	80	87-109	200	140	2 -M14	180	70	3.4
287-812-0108-16	100	108-131	220	140	2 -M14	180	70	3.65
287-812-0113-16	100	113-136	225	140	2 -M14	180	70	3.8
287-812-0121-16	100	121-144	235	140	2 -M14	180	70	4.1
287-812-0138-16	125	138-160	260	140	2 -M14	180	70	4.3
287-812-0147-16	125	147-169	265	140	2 -M14	180	70	4.6
287-812-0159-16	150	159-181	275	140	2 -M14	180	80	4.68
287-812-0164-16	150	164-186	280	140	2 -M14	180	80	4.7
287-812-0190-16	175	190-212	306	140	2 -M14	210	80	4.8
287-812-0210-16	200	210-232	330	140	2 -M14	210	80	5.1
287-812-0220-16	200	220-242	335	140	2 -M14	210	80	5.3
287-812-0230-16	200	230-252	345	140	2 -M14	210	80	5.8
287-812-0244-16	225	244-267	365	140	2 -M14	210	100	6.2
287-812-0270-16	250	270-293	410	140	2 -M14	210	110	6.4
287-812-0286-16	250	286-308	415	140	2 -M14	210	110	6.6
287-812-0305-16	300	305-327	425	140	2 -M14	210	120	6.7
287-812-0322-16	300	322-344	443	140	2 -M14	210	120	6.8
287-812-0340-16	300	340-362	460	140	2 -M14	210	120	7.0

### NOMINAL SIZES 80-125mm 24 BAR

Krausz Part Number	DN (mm)	Overall Range (mm)	H (mm)	L (mm)	Bolts Qty. -Size	Bolt Length (mm)	Torque (Nm)	Approx. Weight (kg)
287-812-0087-24	80	87-109	200	140	2 -M14	180	90	3.4
287-812-0108-24	100	108-131	220	140	2 -M14	180	90	3.65
287-812-0113-24	100	113-136	225	140	2 -M14	180	90	3.8
287-812-0121-24	100	121-144	235	140	2 -M14	180	90	4.1
287-812-0138-24	125	138-160	260	140	2 -M14	180	90	4.3
287-812-0147-24	125	147-169	265	140	2 -M14	180	90	4.6

## PRODUCT TABLES - RANGE 22mm

DN 80-400, LENGTH 210



### NOMINAL SIZES 80-125mm 24 BAR

Krausz Part Number	DN (mm)	Overall Range (mm)	H (mm)	L (mm)	Bolts Qty. -Size	Bolt Length I (mm)	Torque (Nm)	Approx. Weight (kg)
288-812-0087-24	80	87-109	200	210	3 -M14	180	90	5.1
288-812-0108-24	100	108-131	220	210	3 -M14	180	90	5.5
288-812-0113-24	100	113-136	225	210	3 -M14	180	90	5.7
288-812-0121-24	100	121-144	235	210	3 -M14	180	90	5.8
288-812-0138-24	125	138-160	260	210	3 -M14	180	90	6.2
288-812-0147-24	125	147-169	265	210	3 -M14	180	90	6.3

## PRODUCT TABLES - RANGE 22mm

### NOMINAL SIZES 80-400mm 16 BAR (\*)

Krausz Part Number	DN (mm)	Overall Range (mm)	H (mm)	L (mm)	Bolts Qty. -Size	Bolt Length l (mm)	Torque (Nm)	Approx. Weight (kg)
288-812-0087-16	80	87-109	200	210	3 -M14	180	70	5.1
288-812-0104-16	100	104-126	218	210	3 -M14	180	70	5.33
288-812-0108-16	100	108-131	220	210	3 -M14	180	70	5.5
288-812-0113-16	100	113-136	225	210	3 -M14	180	70	5.7
288-812-0121-16	100	121-144	235	210	3 -M14	180	70	5.8
288-812-0124-16	100/125	124-146	239	210	3 -M14	180	70	6
288-812-0138-16	125	138-160	260	210	3 -M14	180	70	6.2
288-812-0147-16	125	147-169	265	210	3 -M14	180	70	6.3
288-812-0152-16	150	152-174	268	210	3 -M14	180	80	6.49
288-812-0159-16	150	159-181	275	210	3 -M14	180	80	6.51
288-812-0164-16	150	164-186	280	210	3 -M14	180	80	6.66
288-812-0180-16	150	180-202	295	210	3 -M14	180	80	6.73
288-812-0191-16	175	190-213	306	210	3 -M14	210	80	7.1
288-812-0207-16	200	207-229	323	210	3 -M14	210	80	7.21
288-812-0220-16	200	220-242	335	210	3 -M14	210	80	7.57
288-812-0230-16	250	230-252	345	210	3 -M14	210	80	7.7
288-812-0233-16	250	233-255	347	210	3 -M14	210	80	8.7
288-812-0236-16	250	236-258	350	210	3 -M14	210	80	8.73
288-812-0244-16	250	244-266	365	210	3 -M14	210	80	9.1
288-812-0260-16	250	260-282	377	210	3 -M14	210	80	9.3
288-812-0263-16	250	263-285	380	210	3 -M14	210	80	9.32
288-812-0310-16	300	310-332	432	210	3 -M16	210	120	13
288-812-0336-16	300	336-358	453	210	3 -M16	210	120	13.7
288-812-0363-16	350	363-385	485	210	3 -M16	210	120	14
288-812-0385-16	350	385-407	502	210	3 -M16	210	120	14.6
288-812-0413-16	400	413-435	535	210	3 -M16	210	120	16.33

\* See drawing on pg. 6

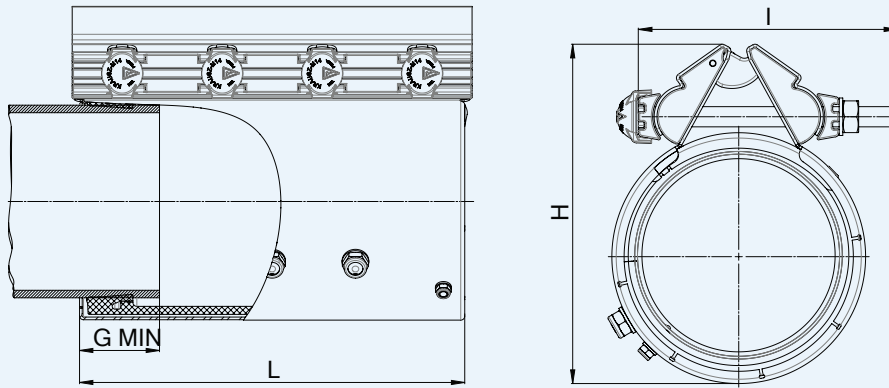
### NOMINAL SIZES 300-400mm 12 BAR (\*)

Krausz Part Number	DN (mm)	Overall Range (mm)	H (mm)	L (mm)	Bolts Qty. -Size	Bolt Length l (mm)	Torque (Nm)	Approx. Weight (kg)
288-812-0305-12	300	305-327	425	210	3 -M16	210	120	10
288-812-0310-12	300	310-332	432	210	3 -M16	210	120	10.2
288-812-0336-12	300	336-358	453	210	3 -M16	210	120	10.7
288-812-0363-12	350	363-385	485	210	3 -M16	210	120	11
288-812-0385-12	350	385-407	502	210	3 -M16	210	120	11.6
288-812-0413-12	400	413-435	535	210	3 -M16	210	120	13.3

\* See drawing on pg. 6

## PRODUCT TABLES - RANGE 22mm

DN 80-400, LENGTH 280



### NOMINAL SIZES 80-125mm 24 BAR

Krausz Part Number	DN (mm)	Overall Range (mm)	H (mm)	L (mm)	Bolts Qty. -Size	Bolt Length I (mm)	Torque (Nm)	Approx. Weight (kg)
289-812-0087-24	80	87-109	200	280	4 -M14	180	80	7.35
289-812-0108-24	100	108-131	220	280	4 -M14	180	80	7.8
289-812-0113-24	100	113-136	225	280	4 -M14	180	80	7.91
289-812-0121-24	100	121-144	235	280	4 -M14	180	80	8.03
289-812-0138-24	125	138-160	260	280	4 -M14	180	80	8.4
289-812-0147-24	125	147-169	265	280	4 -M14	180	80	8.6



## PRODUCT TABLES - RANGE 22mm

### NOMINAL SIZES 80-400mm 16 BAR (\*)

Krausz Part Number	DN (mm)	Overall Range (mm)	H (mm)	L (mm)	Bolts Qty. -Size	Bolt Length l (mm)	Torque (Nm)	Approx. Weight (kg)
289-812-0087-16	80	87-109	200	280	4 -M14	180	60	6.9
289-812-0104-16	100	104-126	218	280	4 -M14	180	60	7.07
289-812-0108-16	100	108-131	220	280	4 -M14	180	60	7.3
289-812-0113-16	100	113-136	225	280	4 -M14	180	60	7.4
289-812-0121-16	100	121-144	235	280	4 -M14	180	60	7.5
289-812-0124-16	100/125	124-146	239	280	4 -M14	180	60	7.5
289-812-0138-16	125	138-160	260	280	4 -M14	180	60	8.4
289-812-0147-16	125	147-169	265	280	4 -M14	180	60	8.6
289-812-0152-16	150	152-174	268	280	4 -M14	180	80	8.6
289-812-0159-16	150	159-181	275	280	4 -M14	180	80	8.7
289-812-0164-16	150	164-186	280	280	4 -M14	180	80	9
289-812-0180-16	150	180-202	295	280	4 -M14	180	80	9.2
289-812-0207-16	200	207-229	323	280	4 -M14	210	80	9.51
289-812-0236-16	250	236-258	350	280	4 -M14	210	80	11.46
289-812-0260-16	250	260-282	377	280	4 -M14	210	80	12.06
283-812-0263-16	250	263-285	380	280	4 -M14	210	80	12.1
289-812-0305-16	300	305-327	425	280	4 -M16	210	120	16.9
289-812-0310-16	300	310-332	432	280	4 -M16	210	120	17.2
289-812-0336-16	300	336-358	453	280	4 -M16	210	120	18.16
289-812-0363-16	350	363-385	485	280	4 -M16	210	120	18.83
289-812-0385-16	350	385-407	502	280	4 -M16	210	120	19.22
289-812-0413-16	400	413-435	535	280	4 -M16	210	120	21.54

\* See drawing on pg. 8

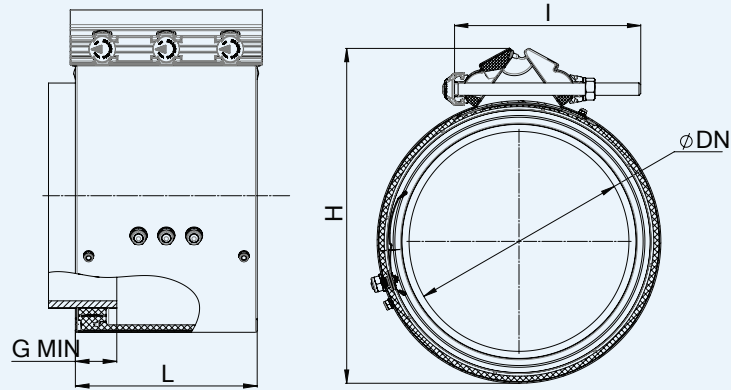
### NOMINAL SIZES 300-400mm 12 BAR (\*)

Krausz Part Number	DN (mm)	Overall Range (mm)	H (mm)	L (mm)	Bolts Qty. -Size	Bolt Length l (mm)	Torque (Nm)	Approx. Weight (kg)
289-812-0310-12	300	310-332	432	280	4 -M16	210	120	13.4
289-812-0336-12	300	336-358	453	280	4 -M16	210	120	14.4
289-812-0363-12	350	363-385	485	280	4 -M16	210	120	15
289-812-0385-12	350	385-407	502	280	4 -M16	210	120	15.4
289-812-0413-12	400	413-435	535	280	4 -M16	210	120	17.7

\* See drawing on pg. 6

## PRODUCT TABLES - RANGE 32mm

### DN 150-300, LENGTH 210



### NOMINAL SIZES 150-300mm 12 BAR

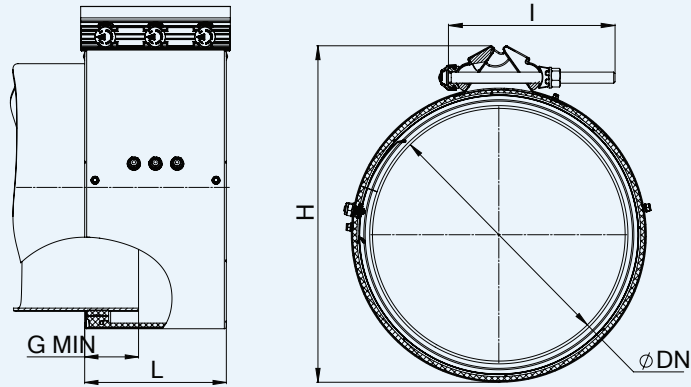
Krausz Part Number	DN (mm)	Overall Range (mm)	Before removal of inner layer (mm)	After removal of inner layer (mm)	H (mm)	L (mm)	Bolt Qty. -Size	Bolt Length I (mm)	Torque (Nm)	Approx. Weight (kg)
285-812-0163-12	150	163-195	163-179	178-195	295	210	3 -M14	210	80	6.9
285-812-0190-12	175	190-222	190-206	205-222	325	210	3 -M14	210	80	7.3
285-812-0217-12	200	217-250	217-233	232-250	350	210	3 -M14	210	80	7.8
285-812-0248-12	225	248-280	248-264	263-280	385	210	3 -M14	235	90	8.7
285-812-0272-12	250	272-305	272-289	288-305	410	210	3 -M16	240	100	9.5
285-812-0278-12	250	278-311	278-295	294-311	415	210	3 -M16	240	100	9.6
285-812-0313-12	300	313-347	313-331	330-347	460	210	3 -M16	240	110	10.3
285-812-0320-12	300	320-352	320-337	336-352	465	210	3 -M16	240	110	10.4
285-812-0334-12	300	334-366	334-350	349-366	475	210	3 -M16	240	110	10.6

### NOMINAL SIZES 150-300mm 16 BAR

Krausz Part Number	DN (mm)	Overall Range (mm)	Before removal of inner layer (mm)	After removal of inner layer (mm)	H (mm)	L (mm)	Bolt Qty. -Size	Bolt Length I (mm)	Torque (Nm)	Approx. Weight (kg)
285-812-0158-16	150	158-190	158-174	173-190	290	210	3 -M14	210	110	7.35
285-812-0163-16	150	163-195	163-179	178-195	295	210	3 -M14	210	110	7.44
285-812-0190-16	175	190-222	190-206	205-222	325	210	3 -M14	210	110	7.89
285-812-0217-16	200	217-250	217-233	232-250	350	210	3 -M14	210	120	8.33
285-812-0248-16	225	248-280	248-264	263-280	385	210	3 -M14	235	120	9.83
285-812-0272-16	250	272-305	272-289	288-305	410	210	3 -M16	240	120	10.65
285-812-0278-16	250	278-311	278-295	294-311	415	210	3 -M16	240	120	10.8
285-812-0313-16	300	313-347	313-331	330-347	460	210	3 -M16	240	130	11.51
285-812-0320-16	300	320-352	320-337	336-352	465	210	3 -M16	240	130	11.63
285-812-0334-16	300	334-366	334-350	349-366	475	210	3 -M16	240	130	11.87

## PRODUCT TABLES - RANGE 32mm

DN 350-600, LENGTH 210



### NOMINAL SIZES 350-600mm 11&12 BAR

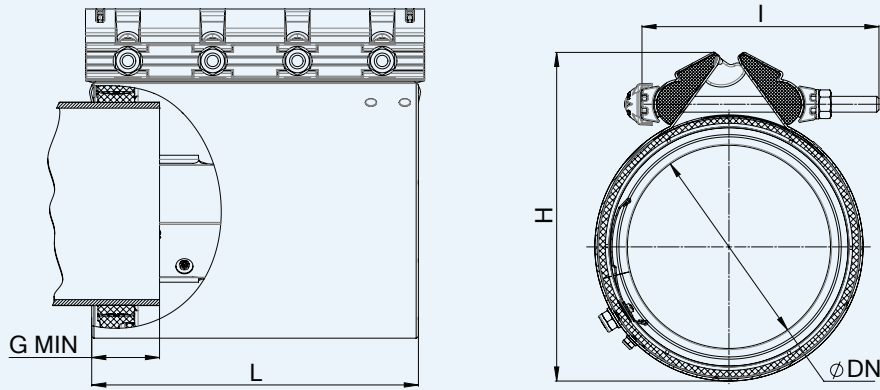
Krausz Part Number	DN (mm)	Overall Range (mm)	Before removal of inner layer (mm)	After removal of inner layer (mm)	H (mm)	L (mm)	Bolt Qty. -Size	Bolt Length I (mm)	Torque (Nm)	Approx. Weight (kg)
285-812-0352-12	350	352-384	352-368	367-384	485	210	3 -M16	240	130	12.5
285-812-0388-12	350	388-420	388-404	403-420	520	210	3 -M16	240	130	13.2
285-812-0404-12	350	404-436	404-420	419-436	540	210	3 -M16	240	130	13.6
285-812-0434-12	400	434-466	434-450	449-466	570	210	3 -M16	240	150	15.7
285-812-0466-12	400	466-498	466-482	481-498	600	210	3 -M16	240	150	16.4
285-812-0490-12	450	490-522	490-506	505-522	625	210	3 -M16	240	150	17
285-812-0528-12	450	528-560	528-544	543-560	660	210	3 -M16	240	150	17.8
285-812-0544-12	500	544-576	544-560	559-576	680	210	3 -M16	240	200	20.1
285-812-0578-12	500	578-610	578-594	593-610	715	210	3 -M16	240	200	20.9
285-812-0606-11	600	606-638	606-622	621-638	740	210	3 -M16	240	200	21.6
285-812-0650-11	600	650-682	650-666	665-682	785	210	3 -M16	240	200	22.8
285-812-0685-11	600	685-717	685-701	700-717	820	210	3 -M16	240	200	23.7

### NOMINAL SIZES 350-600mm 16 BAR

Krausz Part Number	DN (mm)	Overall Range (mm)	Before removal of inner layer (mm)	After removal of inner layer (mm)	H (mm)	L (mm)	Bolt Qty. -Size	Bolt Length I (mm)	Torque (Nm)	Approx. Weight (kg)
285-812-0352-16S	350	352-384	352-368	367-384	485	210	3 -M16	240	150	15.5
285-812-0388-16S	350	388-420	388-404	403-420	520	210	3 -M16	240	150	16.2
285-812-0404-16S	350	404-436	404-420	419-436	540	210	3 -M16	240	150	16.5
285-812-0434-16S	400	434-466	434-450	449-466	570	210	3 -M16	240	200	18.7
285-812-0466-16S	400	466-498	466-482	481-498	600	210	3 -M16	240	200	19.4
285-812-0490-16S	450	490-522	490-506	505-522	625	210	3 -M16	240	200	19.9
285-812-0528-16S	450	528-560	528-544	543-560	660	210	3 -M16	240	200	20.8
285-812-0544-16S	500	544-576	544-560	559-576	680	210	3 -M16	240	240	23
285-812-0578-16S	500	578-610	578-594	593-610	715	210	3 -M16	240	240	23.9
285-812-0606-16S	600	606-638	606-622	621-638	740	210	3 -M16	240	240	24.6
285-812-0650-16S	600	650-682	650-666	665-682	785	210	3 -M16	240	240	25.7
285-812-0685-16S	600	685-717	685-701	700-717	820	210	3 -M16	240	240	26.6

## PRODUCT TABLES - RANGE 32mm

### DN 150-300, LENGTH 280



### NOMINAL SIZES 150-300mm 12 BAR

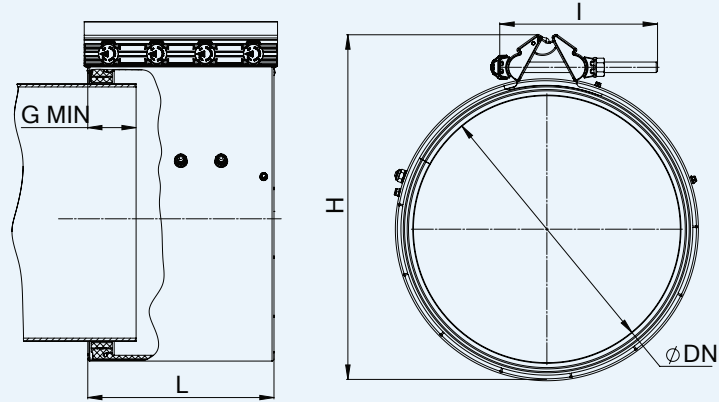
Krausz Part Number	DN (mm)	Overall Range (mm)	Before removal of inner layer (mm)	After removal of inner layer (mm)	H (mm)	L (mm)	Bolt Qty. -Size	Bolt Length I (mm)	Torque (Nm)	Approx. Weight (kg)
286-812-0163-12	150	163-195	163-179	178-195	295	280	4 -M14	210	80	9.2
286-812-0190-12	175	190-222	190-206	205-222	325	280	4 -M14	210	80	10.2
286-812-0217-12	200	217-250	217-233	232-250	350	280	4 -M14	210	80	10.6
286-812-0248-12	225	248-280	248-264	263-280	385	280	4 -M14	235	80	11.6
286-812-0272-12	250	272-305	272-289	288-305	410	280	4 -M16	240	100	12.4
286-812-0278-12	250	278-311	278-295	294-311	415	280	4 -M16	240	100	13
286-812-0313-12	300	313-347	313-331	330-347	460	280	4 -M16	240	100	13.8
286-812-0320-12	300	320-352	320-337	336-352	465	280	4 -M16	240	100	14
286-812-0334-12	300	334-366	334-350	349-366	475	280	4 -M16	240	100	15

### NOMINAL SIZES 150-300mm 16 BAR

Krausz Part Number	DN (mm)	Overall Range (mm)	Before removal of inner layer (mm)	After removal of inner layer (mm)	H (mm)	L (mm)	Bolt Qty. -Size	Bolt Length I (mm)	Torque (Nm)	Approx. Weight (kg)
286-812-0158-16	150	158-190	158-174	173-190	290	280	4 -M14	210	120	11.1
286-812-0163-16	150	163-195	163-179	178-195	295	280	4 -M14	210	120	11.2
286-812-0190-16	175	190-222	190-206	205-222	325	280	4 -M14	210	120	11.8
286-812-0217-16	200	217-250	217-233	232-250	350	280	4 -M14	210	120	12.6
286-812-0248-16	225	248-280	248-264	263-280	385	280	4 -M14	235	130	13.1
286-812-0272-16	250	272-305	272-289	288-305	410	280	4 -M16	240	130	14.5
286-812-0278-16	250	278-311	278-295	294-311	415	280	4 -M16	240	130	14.6
286-812-0313-16	300	313-347	313-331	330-347	460	280	4 -M16	240	130	15.7
286-812-0320-16	300	320-352	320-337	336-352	465	280	4 -M16	240	130	16.2
286-812-0334-16	300	334-366	334-350	349-366	475	280	4 -M16	240	130	16.8

## PRODUCT TABLES - RANGE 32mm

### DN 350-600, LENGTH 280



### NOMINAL SIZES 350-600mm 11&12 BAR

Krausz Part Number	DN (mm)	Overall Range (mm)	Before removal of inner layer (mm)	After removal of inner layer (mm)	H (mm)	L (mm)	Bolt Qty. -Size	Bolt Length I (mm)	Torque (Nm)	Approx. Weight (kg)
286-812-0352-12	350	352-384	352-368	367-384	485	280	4 -M16	240	120	16.2
286-812-0388-12	350	388-420	388-404	403-420	520	280	4 -M16	240	120	17.2
286-812-0404-12	350	404-436	404-420	419-436	540	280	4 -M16	240	120	17.6
286-812-0434-12	400	434-466	434-450	449-466	570	280	4 -M16	240	150	20.4
286-812-0466-12	400	466-498	466-482	481-498	600	280	4 -M16	240	150	21.4
286-812-0490-12	450	490-522	490-506	505-522	625	280	4 -M16	240	150	22
286-812-0528-12	450	528-560	528-544	543-560	660	280	4 -M16	240	150	23.2
286-812-0544-12	500	544-576	544-560	559-576	680	280	4 -M16	240	200	26.1
286-812-0578-12	500	578-610	578-594	593-610	715	280	4 -M16	240	200	27.3
286-812-0606-11	600	606-638	606-622	621-638	740	280	4 -M16	240	200	28.4
286-812-0634-11	600	634-666	634-650	618-634	776	280	4 -M16	240	200	29
286-812-0650-11	600	650-682	650-666	665-682	785	280	4 -M16	240	200	29.6
286-812-0685-11	600	685-717	685-701	700-717	820	280	4 -M16	240	200	30.8

## PRODUCT TABLES - RANGE 32mm

### NOMINAL SIZES 350-600mm 16 BAR (\*)

Krausz Part Number	DN (mm)	Overall Range (mm)	Before removal of inner layer (mm)	After removal of inner layer (mm)	H (mm)	L (mm)	Bolt Qty. -Size	Bolt Length l (mm)	Torque (Nm)	Approx. Weight (kg)
286-812-0352-16S	350	352-384	352-368	367-384	485	280	4 -M16	240	140	20.2
286-812-0388-16S	350	388-420	388-404	403-420	520	280	4 -M16	240	140	21.2
286-812-0404-16S	350	404-436	404-420	419-436	540	280	4 -M16	240	140	21.6
286-812-0434-16S	400	434-466	434-450	449-466	570	280	4 -M16	240	170	24.4
286-812-0466-16S	400	466-498	466-482	481-498	600	280	4 -M16	240	170	25.4
286-812-0490-16S	450	490-522	490-506	505-522	625	280	4 -M16	240	170	26
286-812-0520-16S	450	520-552	520-536	535-552	660	280	4 -M16	240	170	26.9
286-812-0528-16S	450	528-560	528-544	543-560	660	280	4 -M16	240	170	27.2
286-812-0544-16S	500	544-576	544-560	559-576	680	280	4 -M16	240	220	30.1
286-812-0578-16S	500	578-610	578-594	593-610	715	280	4 -M16	240	220	31.3
286-812-0606-16S	600	606-638	606-622	621-638	740	280	4 -M16	240	220	32.1
286-812-0650-16S	600	650-682	650-666	665-682	785	280	4 -M16	240	220	33.6
286-812-0685-16S	600	685-717	685-701	700-717	820	280	4 -M16	240	220	34.8

\* See drawing on pg. 13