



REPAMAX



HYMAX



GRIP



Krausz Industries Ltd

6 Hapatish St. Tel Aviv, Israel 6655906

TEL: +972 (0)3 5154000

FAX: +972 (0)3 5183293

SALES@KRAUSZ.COM

WWW.KRAUSZ.COM



BR0036 REV E



HYMAX®
Wide-Range Coupling Solutions

Your Safest Choice Coupling.

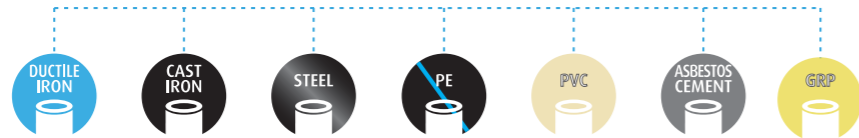


HYMAX® Product Information

HYMAX Wide-Range Coupling *



SUITABLE FOR THESE PIPE MATERIALS:



* NOTE:

HYMAX 2 PRODUCTS SIZES 50-300MM USE A FLIPPING GASKET.

HYMAX PRODUCTS SIZE 40MM AND HYMAX LARGE DIAMETER PRODUCTS SIZES DN 350 TO DN 1500 ARE USING THE REMOVABLE GASKET.

| | DN (mm) | Working Range (mm) | Product Description | |
|---------------------------------------------------------------------------------------|------------------------------------------------------|--------------------------------------|------------------------------------------------|---------------------------------------------------------------------------------------------------------------------------------------------------------------------------------------------------------------------------|
|  | Coupling Hymax Hymax 2 Hymax | 40 50-300 350-1500 | Up to 32mm Up to 32mm Up to 54mm | Wide-range HYMAX Coupling, used for section replacement, connects two pipes of the same or different or same pipe diameters and materials. |
|  | Flange Adaptor Hymax Hymax 2 Hymax Hymax | 40 50-300 350-600 650-1500* | Up to 32mm Up to 32mm Up to 54mm 54mm | Wide-range HYMAX Flange Adaptor connects any flanged device, such as valves, pumps and other devices, with a variety of pipe diameters and materials. <small>* For various PN sizes contact your Krausz dealer</small> |
|  | Long Body Hymax Hymax 2 Hymax | 40 50-300 350-1500 | Up to 32mm Up to 32mm Up to 54mm | Wide-range HYMAX Long Body Coupling, used for pipe section replacement, connects two pipes of the same or different or same pipe diameters and materials, covering a wider gap between the pipes. |
|  | Reducer Hymax 2 Hymax Hymax | 50-300 350-600 650-1500* | Up to 32mm Up to 54mm 54mm | Wide-range HYMAX Reducer joins pipes of different or same nominal sizes and materials. |
|  | Threaded Outlet Hymax 2 Hymax | 50-300* 350-1500* | Up to 32mm Up to 54mm | HYMAX Threaded Outlet provides effective outlet solutions for a wide variety of piping types and diameters, joining pipes made of the same or different materials. |
|  | Flanged Outlet Hymax 2 Hymax | 50-300* 350-1500* | Up to 32mm Up to 54mm | HYMAX Flanged Outlet provides effective outlet solutions for a wide variety of piping types and diameters, joining pipes made of the same or different materials. |

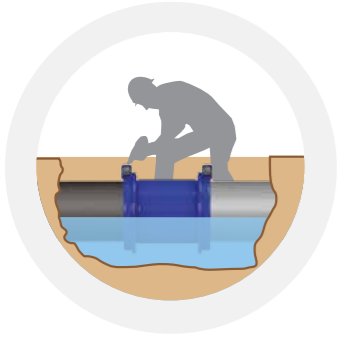
* MTO Sizes (Made To Order).

HYMAX® Family Features

HYMAX. Wide-Range Coupling Solutions.

Krausz HYMAX® coupling solutions feature advanced engineering and innovative design, enabling fast installation, outstanding flexibility, and extreme durability in varied conditions. These benefits make the Krausz HYMAX® the high-performance, cost-effective choice for a broad variety of applications. A revolutionary product line, that has set a new industry standard, the HYMAX products have been field-proven in millions of installations world-wide.

Fast and easy installation



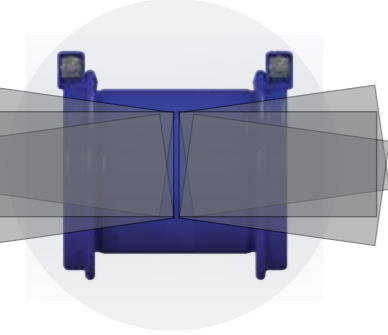
- Advanced wide-range coupling with a patented flip gasket (in sizes 50-300 mm) eliminates gasket removal mistakes and maximizes installer work efficiency.
- Lightweight construction enables fast and easy installation, with minimum manpower, reducing time in the ditch and improving worker safety.
- Unique top-facing bolts enable easy installation access.
- Ready-to-use, stab-on design eliminates the need for extensive under-pipe digging and work.
- Installation by stabbing eliminates the need for product disassembly before use.

Multiple applications



- Broad variety of products, from couplings to flange adaptors and reducers.
- Extensive portfolio of products with 40mm-1500mm nominal pipe size.
- All products work with a variety of pipe materials: ductile iron, cast iron, steel, PE, PVC, AC, and GRP.
- One single product can connect pipes of two different materials, allowing nominal diameter range of up to 54mm.

Flexible connection

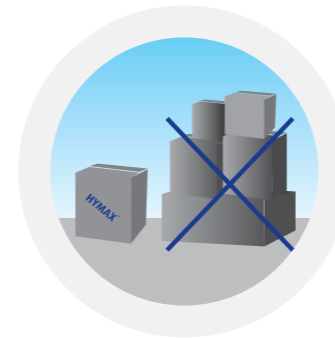


- Efficient mechanical sealing for low-pressure conditions and hydraulic inflatable gasket for enhanced sealing in pressurized conditions.
- During installation, allows for up to 4° angular deflection on each end, as well as for misaligned pipes.
- Absorbs post-installation dynamic pipe deflection of up to 4° on each end, reducing the risk of damage and cracking due to ground shifts and temperature changes.
- Adapts to out-of-round pipe shape (up to 13mm), for optimum fit on both ends.



High durability

- Patented sealing solution is the pressure-assisted gasket featuring two-stage sealing: mechanical sealing that is effective under vacuum or non-pressure, and self-inflating gasket using water pressure.
- Fusion-bonded epoxy coating enables an insulated product and prevents corrosion.
- Nuts, bolts and other components are made of stainless steel.
- Innovative radial closing design and sealing systems eliminate installation errors.
- Unique MAG treatment prevents galling and enables repeated bolt tightening; it also eliminates the need for grease, preventing dust and dirt build-up.



Cost-saving

- Hymax products suit a wide range of pipe diameters, replacing the need to use dedicated products and thus reducing inventory costs and saving shelf space.
- Fast and easy installation saves time and money.



All products meet or exceed standards NSF-61 and NSF-372. Products up to DN 300 were approved by 3rd party ILAC lab according to EN 14525.

Body:

- 40mm-300mm: Grade P235 Steel, EN 10217-1
- 350MM - 1500MM: Grade P235 Steel, EN 10025-2 (DIN 17100)

Center Ring:

- 40mm - 300mm: Grade P235 Steel, EN 10217-1.
- 350mm - 1500mm: Grade S235JR Steel, EN 10025-2 (DIN 17100).

End Rings:

- 40mm - 1500mm: Grade S235JR Steel, EN 10025-2 (DIN 17100).
- 350mm - 400mm: Grade S235JR Steel, EN 10025-2 (DIN 17100).
(or Ductile Iron Casting ASTM A536 Grade 60-40-18).

Two types of sealing

- Efficient mechanical sealing for low-pressure conditions and hydraulic inflatable gasket for enhanced sealing in pressurized conditions.
- DN 50mm - 300mm: flipping gasket
- DN 40mm, 350mm - 1,500mm: double layer detachable gasket

Gasket:

EPDM compounded for water and sewerage, meets international standards for contact with drinking water: NSF-61, UBA Elastomer Guideline (KTW), W270, XP P 41-250, AS/NZS 4020, and BS 6920. Meets DIN EN 681-1 for water and drainage applications.

Nuts & Bolts:

- AISI 304 Stainless Steel. Rolled thread and MAG treatment.
- Top facing bolts for maximum installer safety.

Gasket Bridge:

- AISI 304 Stainless Steel.

* Data may vary according to product type and size. For complete technical information please refer to product specification sheet.

Coating:

- 100% fusion bonded epoxy for enhanced corrosion protection. Average thickness 250 microns. Meets NSF-61, BS 6920, W270, ONORM B 5014-1, XP P 41-250, AS/NZS 4020, and UBA-Coatings Guideline.

Dynamic Deflection:

- Up to 4° per side (one side only for Flange Adaptor).

Working Pressure:

- Up to 16 Bar.

Rated Pressure:

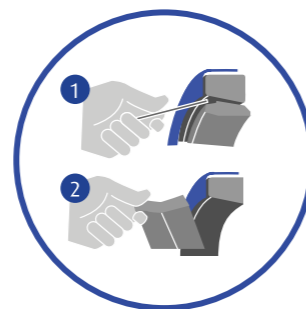
- Up to 24 Bar.

Working Temperature:

- -30°C up to +50°C.

Vacuum Test:

- 0.8 Bar.



40mm, 350mm - 1,500mm
Two-layer detachable Gasket
allows adjusting to pipe diameter



50mm - 300mm
Flip gasket



OF INNOVATIVE PIPE JOIN AND REPAIR SOLUTIONS

Krausz Industries develops, designs, and manufactures market-leading smart products for repairing and connecting different types of pipes for potable water and sewage.

During more than 90 years of industry leadership, Krausz has earned a solid reputation for innovative, high-quality products that are exceptionally easy to use and are extremely durable; products that save significant time and cost in installation, inventory and maintenance.

With millions of installations worldwide, Krausz products expertly meet immediate connection and repair needs and prevent future pipe damage, delivering long-lasting value.

