



# HYMAX GRIP® FLANGE ADAPTOR\*

(80mm - 300mm)



## PRODUCT SPECIFICATIONS

### FEATURES

- JOINS AND RESTRAINS A WIDE RANGE OF PIPING TYPES AND DIAMETERS WITH FLANGED DEVICES
- UNIQUE RADIAL GRIPPING SYSTEM PREVENTS PIPE MOTION
- UNIVERSAL GRIPPING TEETH FIT METAL AND PLASTIC PIPES
- READY TO USE, STAB-FIT DESIGN
- ALLOWS 4° DYNAMIC DEFLECTION, REDUCING FUTURE DAMAGE
- DURABLE DUCTILE IRON BODY
- PATENTED PROGRESSIVE PRESSURE-ASSISTED GASKET WITH 2-STAGE SEALING

### SPECIFICATIONS (\*\*)

#### STANDARDS

ALL PRODUCTS MEET OR EXCEED STANDARDS NSF-61 AND NSF-372.  
PRODUCTS WERE APPROVED BY 3RD PARTY ILAC LAB ACCORDING TO EN 14525.

#### SIZE

AVAILABLE IN NOMINAL DIAMETER SIZES 80mm – 300mm.

#### RANGES

26mm: NOMINAL DIAMETERS 80mm – 100mm.  
32mm: NOMINAL DIAMETERS 125mm – 175mm.  
50mm: NOMINAL DIAMETERS 175mm – 300mm.

#### MATERIALS

##### FLANGED BODY

80mm – 300mm: DUCTILE IRON CASTING ASTM A536 GRADE 65-45-12.

##### FLANGES

COMPATIBLE WITH EN 1092-1 PN10/16.  
ANSI 125 AND 150, BSTD BOLT PATTERNS.

##### END RINGS

80mm: CAST STEEL ASTM A216 WCB.  
100mm – 300mm: DUCTILE IRON CASTING ASTM A536 GRADE 60-40-18.

##### GASKET

EPDM COMPOUNDED FOR WATER AND SEWERAGE, MEETS INTERNATIONAL STANDARDS FOR CONTACT WITH DRINKING WATER: SF-61, KTW-UBA ELASTOMER GUIDELINE, W270, XP P 41-250, AS/NZS 4020, AND BS 6920. MEETS DIN EN 681-1 FOR WATER AND DRAINAGE APPLICATIONS.

##### GRIP CHAIN

SIZE	80mm	100mm - 175mm	175mm - 300mm
MATERIAL	AISI-440C	AISI-420 2B	AISI-420

##### BRIDGE

AISI 304/316 STAINLESS STEEL.

##### SPHERICAL SPACERS

AISI 304/316 STAINLESS STEEL.

##### COATING

100% FUSION BONDED EPOXY FOR ENHANCED CORROSION PROTECTION. AVERAGE THICKNESS 250 MICRON. MEETS NSF-61, BS 6920, W270, ONORM B 5014-1, XP P 41-250, AS/NZS 4020, AND UBA-COATINGS GUIDELINE.

\* The product is protected by various patents registered in various countries.

\*\* For details about Made to Order (MTO) products please contact your KRAUSZ distributor.

## PRODUCT PERFORMANCE

### NUTS AND BOLTS

ANSI 304/316 STAINLESS STEEL. ROLLED THREAD AND ANTI-GALLING COATING.

### WORKING TEMPERATURE

#### EPDM GASKET

CONTINUOUS OPERATION | -30°C UP TO +85°C  
SHORT TIME OPERATION | -30°C UP TO +100°C

#### EPOXY COATING

ABOVE GROUND APPLICATIONS | UP TO +50°C  
BELOW GROUND APPLICATIONS | UP TO +65°C

### DYNAMIC DEFLECTION

UP TO 4°

### MIN. PIPE INSERTION

RANGE | ≤ 32mm | 50mm  
MIN. PIPE INSERTION | 95mm | 125mm

### MAXIMUM OFFSET FOR MISALIGNED PIPES

80mm - 300mm  
3 mm

### MAXIMUM OUT OF ROUNDNESS

RANGE	≤ 32mm		50mm
NOMINAL DIAMETER	80mm	100-175mm	≥175mm
OUT OF ROUNDNESS	3mm	4mm	5mm

### WORKING PRESSURE

16 BAR

### RATED PRESSURE

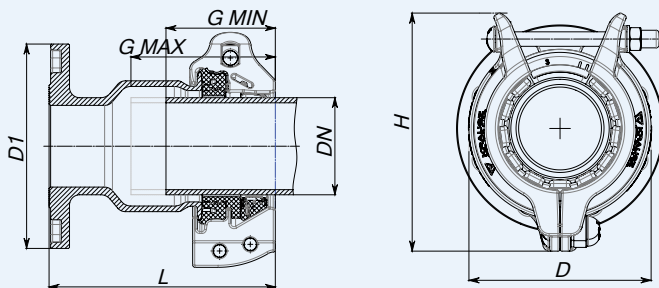
24 BAR

### VACUUM TEST

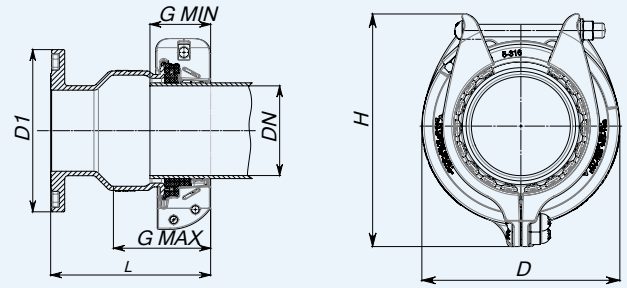
0.8 BAR

## PRODUCT TABLES

### HYMAX GRIP FLANGE ADAPTOR 80



### HYMAX GRIP FLANGE ADAPTOR 100-175



## HYMAX GRIP FLANGE ADAPTOR NOMINAL SIZES 80-175mm

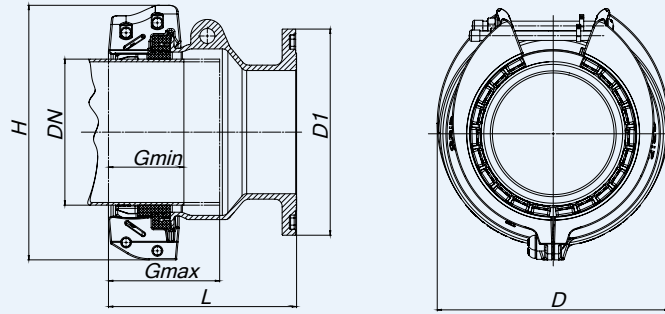
X=5 -> 304 STAINLESS STEEL

X=7 -> 316 STAINLESS STEEL

Krausz Part Number	DN (mm)	Flange (mm)	Overall Range (mm)	Before removal of inner layer (mm)	After removal of inner layer (mm)	L (mm)	D (mm)	H (mm)	D1 (mm)	G-Max Stab Depth (mm)	Bolts Qty.-Size	Torque (N-m)	Weight (kg)
130-82X-030080-16	80	80	80-106	80-95	94-106	222	176	230	200	140	1-M14	65	9.64
130-82X-04104-16	100	100	104-130	104-118	117-130	221	199	249	229	140	1-M16	100	11.2
130-82X-05130-16	125	125	130-162	130-146	145-162	250	253	299	254	150	1-M16	110	15.8
130-82X-06158-16	150	150	158-190	158-174	173-190	260	280	330	285	155	1-M16	130	18.7
130-82X-08198-16	175	200	198-230	198-214	213-230	282	324	375	343	155	1-M16	130	25.1

## PRODUCT TABLES

### HYMAX GRIP FLANGE ADAPTOR 175-300



X=5 -> 304 STAINLESS STEEL

X=7 -> 316 STAINLESS STEEL

### HYMAX GRIP FLANGE ADAPTOR NOMINAL SIZES 175-300mm

Krausz Part Number	DN (mm)	Flange (mm)	Overall Range (mm)	Before removal of inner layer (mm)	After removal of inner layer (mm)	L (mm)	D (mm)	H (mm)	D1 (mm)	G-Max Stab Depth (mm)	Bolts Qty.-Size	Torque (N-m)	Weight (kg)
130-82X-08190-16	175	200	190-240	190-215	214-240	313	366	398	343	185	2-M16	120	33
130-82X-08214-16	200	200	214-264	214-239	238-264	313	390	424	343	185	2-M16	140	37.7
130-82X-10266-16	250	250	266-316	266-291	290-316	329	442	480	407	190	2-M16	140	49.3
130-82X-12312-16	300	300	312-362	312-337	336-362	329	489	525	483	190	2-M16	180	57.9



**6 Hapatish St. Tel Aviv, Israel 6655906**

**TEL: (+972) 3-515-4014**

**FAX: (+972) 3-682-1572**

**[info@krausz.com](mailto:info@krausz.com) | [www.krausz.com](http://www.krausz.com)**

---

Copyright © 2017 Krausz Industries Ltd., All rights reserved

---

**PS0024 REV D**