



HYMAX GRIP® END CAP*

(40mm - 300mm)

PRODUCT SPECIFICATIONS

FEATURES

- CAPS A WIDE RANGE OF PIPING TYPES AND DIAMETERS
- UNIQUE RADIAL GRIPPING SYSTEM PREVENTS PIPE MOTION
- UNIVERSAL GRIPPING TEETH FIT METAL AND PLASTIC PIPES
- READY TO USE, STAB-FIT DESIGN
- ALLOWS 4° DYNAMIC DEFLECTION, REDUCING FUTURE DAMAGE
- DURABLE DUCTILE IRON BODY
- PATENTED PROGRESSIVE PRESSURE-ASSISTED GASKET WITH 2-STAGE SEALING

SPECIFICATIONS (**)

STANDARDS

ALL PRODUCTS MEET OR EXCEED STANDARDS NSF-61 AND NSF-372.
 PRODUCTS WERE APPROVED BY 3RD PARTY ILAC LAB ACCORDING TO EN 14525.

SIZE

AVAILABLE IN NOMINAL DIAMETER SIZES 40mm – 300mm.

RANGES

26mm - 28mm: NOMINAL DIAMETERS 40mm – 100mm.
 32mm: NOMINAL DIAMETERS 125mm – 175mm.
 50mm: NOMINAL DIAMETERS 175mm – 300mm.

MATERIALS

END RINGS

40mm – 80mm: CAST STEEL ASTM A216 WCB.
 100mm – 300mm: DUCTILE IRON CASTING ASTM A536 GRADE 60-40-18.

END CAP BODY

40mm – 300mm: DUCTILE IRON CASTING ASTM A536 GRADE 65-45-12.
 PRODUCT SIZES 40mm – 65mm NO HANDLE AND ONE 2G BSP OUTLET.
 PRODUCT SIZES 80mm – 300mm WITH HANDLE AND TWO 2G BSP OUTLETS.

GASKET

EPDM COMPOUNDED FOR WATER AND SEWERAGE, MEETS INTERNATIONAL STANDARDS FOR CONTACT WITH DRINKING WATER: NSF-61, KTW-UBA ELASTOMER GUIDELINE, W270, XP P 41-250, AS/NZS 4020, AND BS 6920. MEETS DIN EN 681-1 FOR WATER AND DRAINAGE APPLICATIONS.

GRIP CHAIN

SIZE	40mm – 80mm	100mm – 175mm	175mm – 300mm
MATERIAL	AISI-440C	AISI-420 2B	AISI-420

BRIDGE

AISI 304/316 STAINLESS STEEL.

SPHERICAL SPACERS

AISI 304/316 STAINLESS STEEL.

COATING

100% FUSION BONDED EPOXY FOR ENHANCED CORROSION PROTECTION. AVERAGE THICKNESS 250 MICRON. MEETS NSF-61, BS 6920, W270, ONORM B 5014-1, XP P 41-250, AS/NZS 4020, AND UBA-COATINGS GUIDELINE.

NUTS AND BOLTS

AISI 304/316 STAINLESS STEEL. ROLLED THREAD AND ANTI-GALLING COATING.

* The product is protected by various patents registered in various countries.

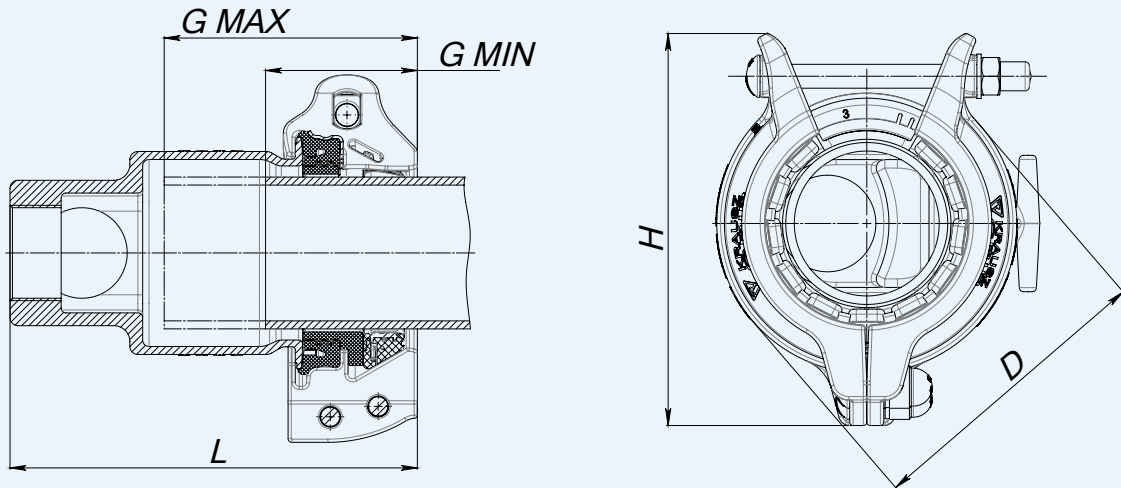
** For details about Made to Order (MTO) products please contact your KRAUSZ distributor.

PRODUCT PERFORMANCE

WORKING TEMPERATURE	EPDM GASKET CONTINUOUS OPERATION -30°C UP TO +85°C SHORT TIME OPERATION -30°C UP TO +100°C	EPOXY COATING ABOVE GROUND APPLICATIONS UP TO +50°C BELOW GROUND APPLICATIONS UP TO +65°C
DYNAMIC DEFLECTION	UP TO 4°	
MIN. PIPE INSERTION	RANGE ≤ 32mm 50mm MIN. PIPE INSERTION 95mm 125mm	
MAXIMUM OUT OF ROUNDNESS	RANGE ≤ 32mm 50mm NOMINAL DIAMETER ≤80mm 100-175mm ≥175mm OUT OF ROUNDNESS 3mm 4mm 5mm	
WORKING PRESSURE	40mm – 300mm 16 BAR	
RATED PRESSURE	24 BAR	
VACUUM TEST	0.8 BAR	

PRODUCT TABLES

HYMAX GRIP END CAP NOMINAL SIZES 40-80mm



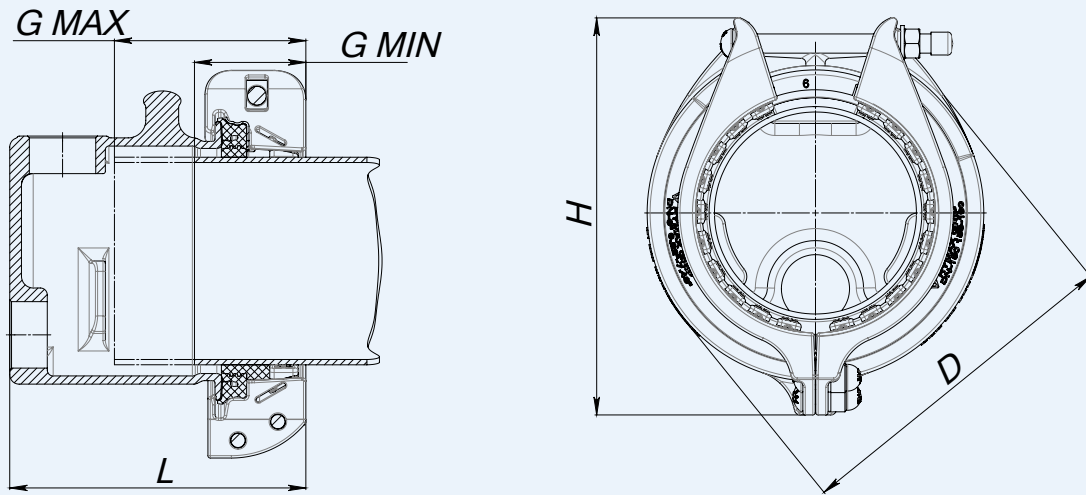
X=5 -> 304 STAINLESS STEEL

X=7 -> 316 STAINLESS STEEL

Krausz Part Number	DN (mm)	Overall Range (mm)	Before Removal of Inner Layer (mm)	After Removal of Inner Layer (mm)	L (mm)	H (mm)	D (mm)	G-Max Stab Depth (mm)	Bolts Qty. -Size	Torque (Nm)	Approx Weight (kg)
867-82X-015039-16	40-50	39-67	39-56	55-67	172	190	136	120	1-M14	65	4.77
867-82X-025059-16	65	59-87	59-76	75-87	211	205	157	145	1-M14	65	6.96
867-82X-030080-16	80	80-106	80-95	94-106	254	230	176	160	1-M14	65	8.94

PRODUCT TABLES

HYMAX GRIP END CAP NOMINAL SIZES 100-175mm

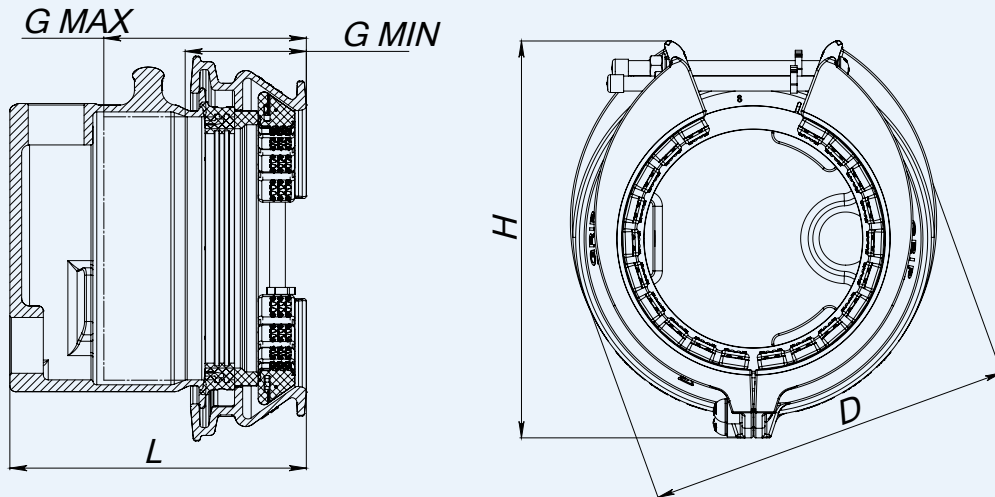


X=5 -> 304 STAINLESS STEEL

X=7 -> 316 STAINLESS STEEL

Krausz Part Number	DN (mm)	Overall Range (mm)	Before Removal of Inner Layer (mm)	After Removal of Inner Layer (mm)	L (mm)	H (mm)	D (mm)	G-Max Stab Depth (mm)	Bolts Qty. -Size	Torque (Nm)	Approx Weight (kg)
867-82X-04104-16	100	104-130	104-118	117-130	251	249	199	160	1-M16	100	10
867-82X-05130-16	125	130-162	130-146	145-162	253	299	253	130	1-M16	110	16
867-82X-06158-16	150	158-190	158-174	173-190	253	330	280	130	1-M16	130	17.1
867-82X-07198-16	175-200	198-230	198-214	213-230	253	375	324	130	1-M16	130	20.7

HYMAX GRIP END CAP NOMINAL SIZES 175-300mm



Krausz Part Number	DN (mm)	Overall Range (mm)	Before Removal of Inner Layer (mm)	After Removal of Inner Layer (mm)	L (mm)	H (mm)	D (mm)	G-Max Stab Depth (mm)	Bolts Qty. -Size	Torque (Nm)	Approx Weight (kg)
867-82X-07190-16	175	190-240	190-215	214-240	300	398	366	200	2-M16	120	33.5
867-82X-08214-16	200	214-264	214-239	238-264	301	424	390	200	2-M16	140	38.4
867-82X-10266-16	250	266-316	266-291	290-316	302	480	442	200	2-M16	140	46.5
867-82X-12312-16	300	312-362	312-337	336-362	302	525	489	200	2-M16	180	53.3



6 Hapatish St. Tel Aviv, Israel 6655906

TEL: (+972) 3-515-4014

FAX: (+972) 3-682-1572

info@krausz.com | www.krausz.com

Copyright © 2017 Krausz Industries Ltd., All rights reserved
