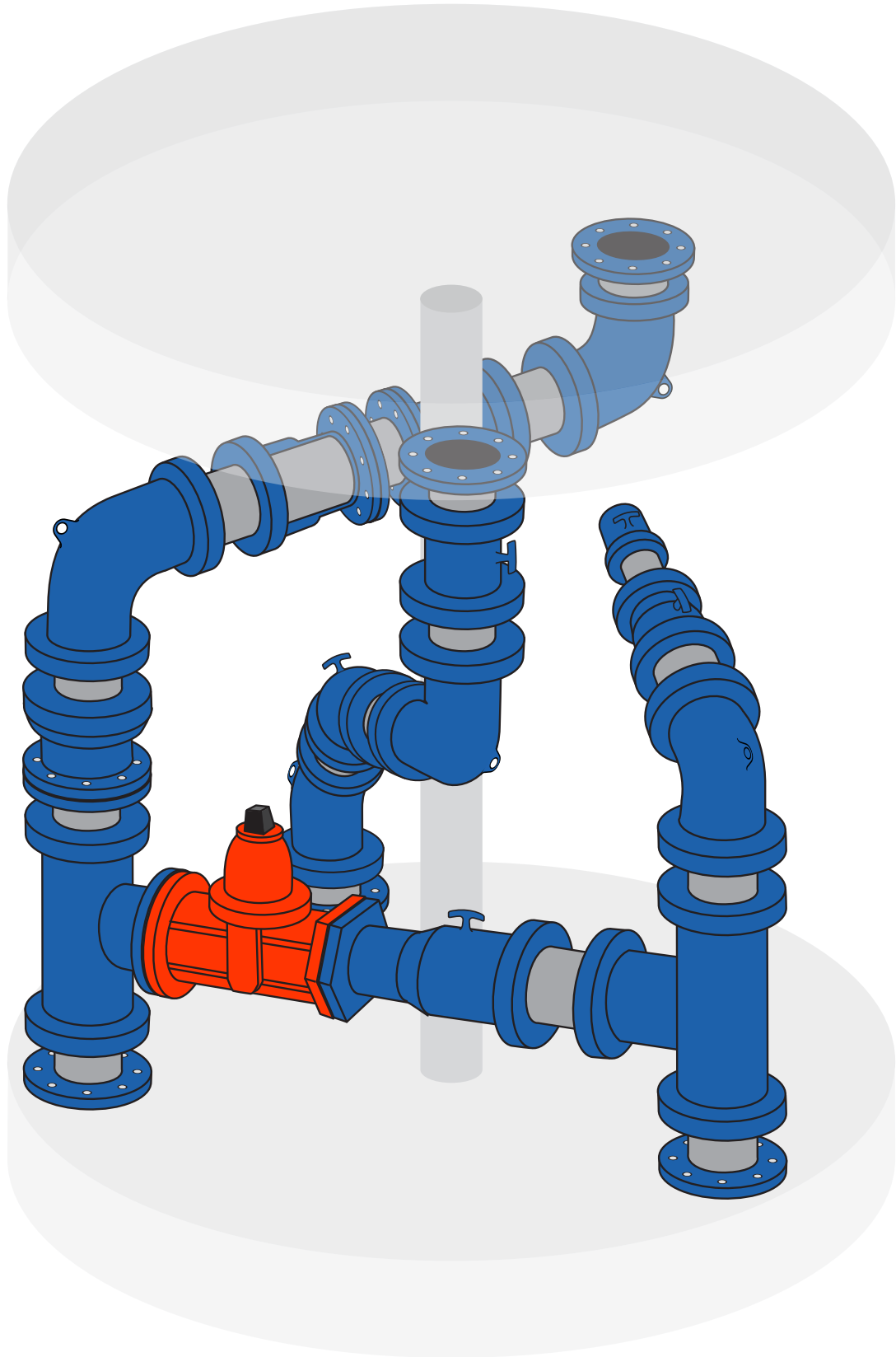
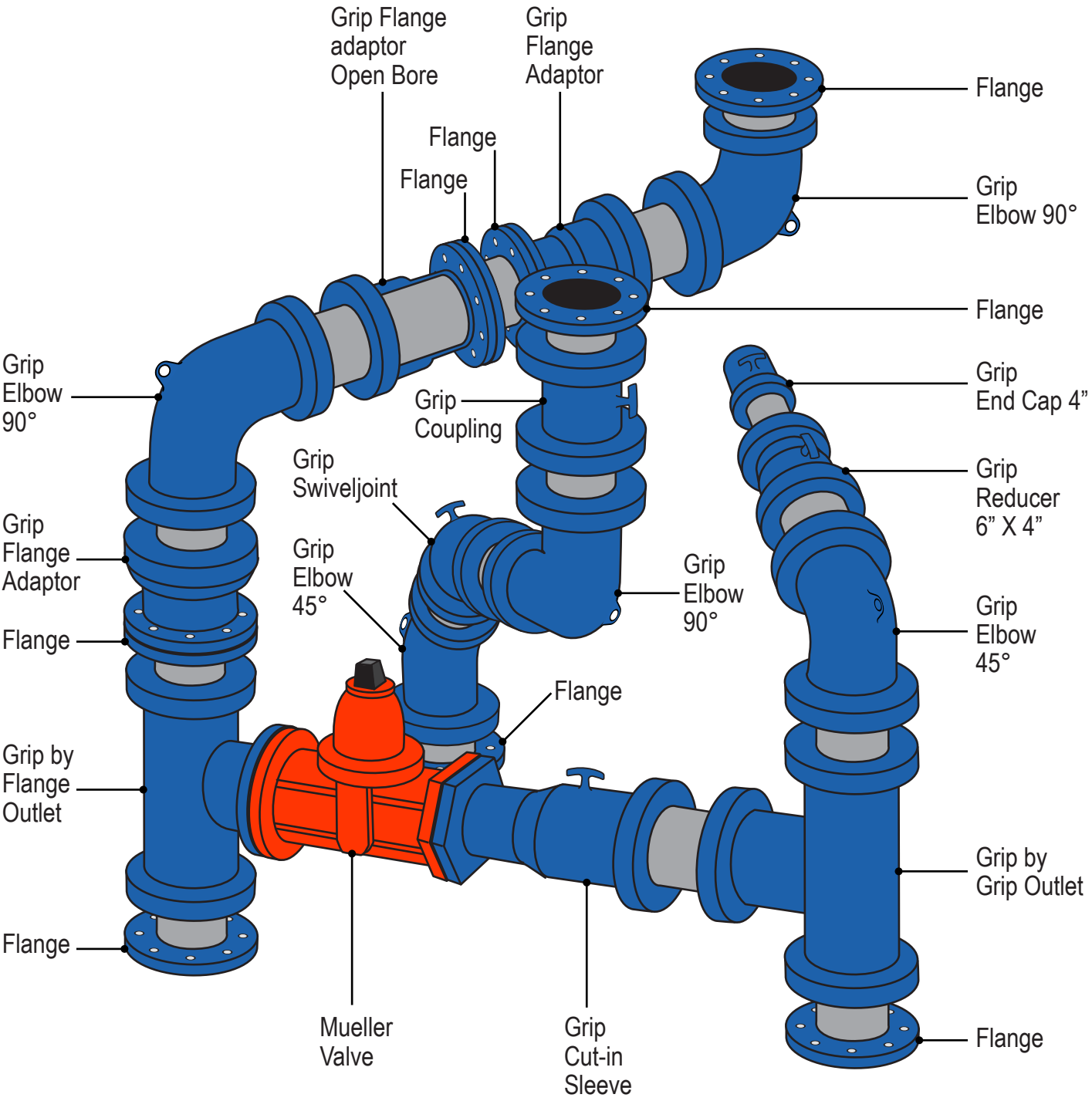


HYMAX GRIP® Display @ ACE 2019

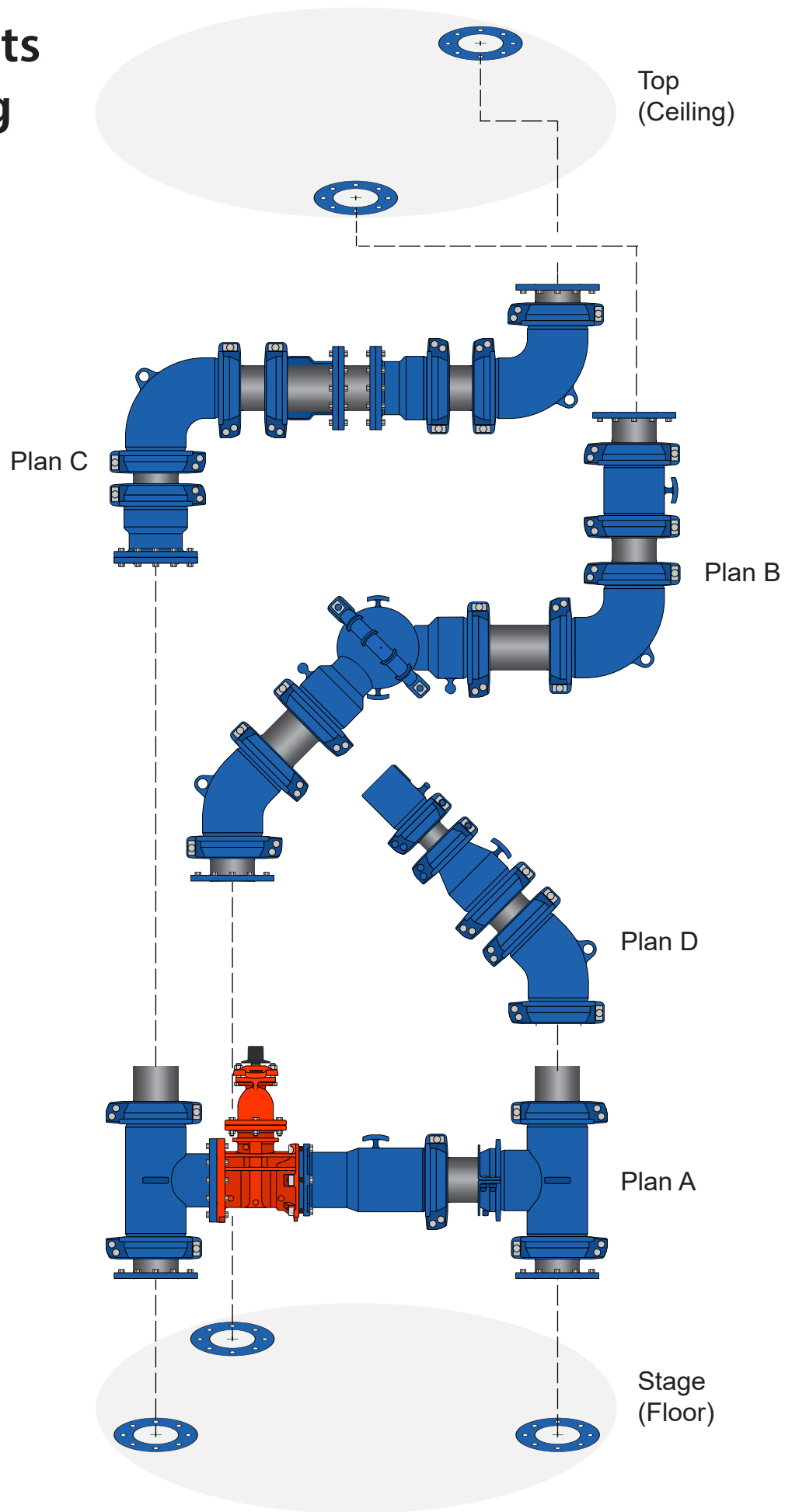
Providing end-to-end solutions to all pipeline restraint applications



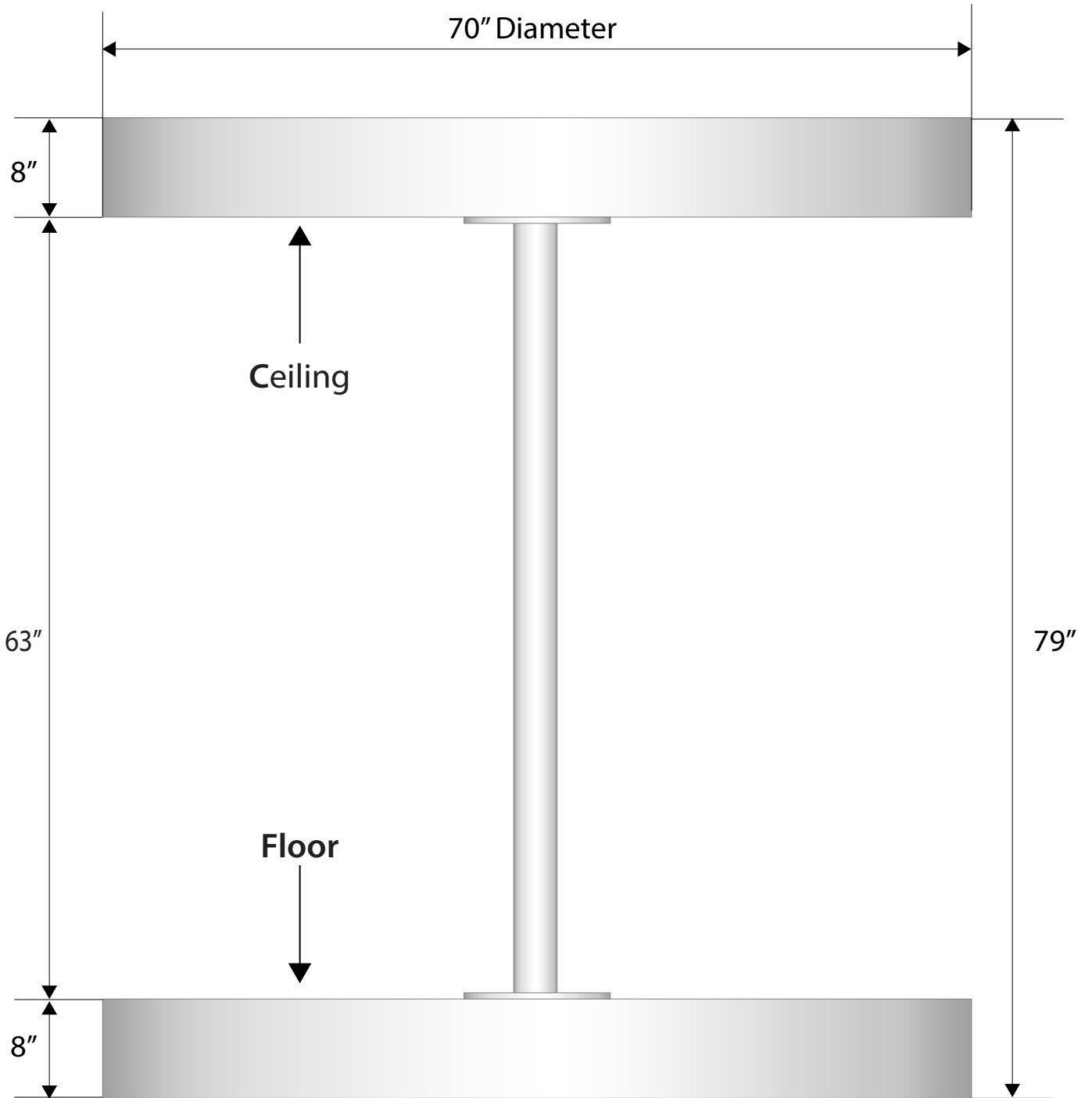
Perspective View



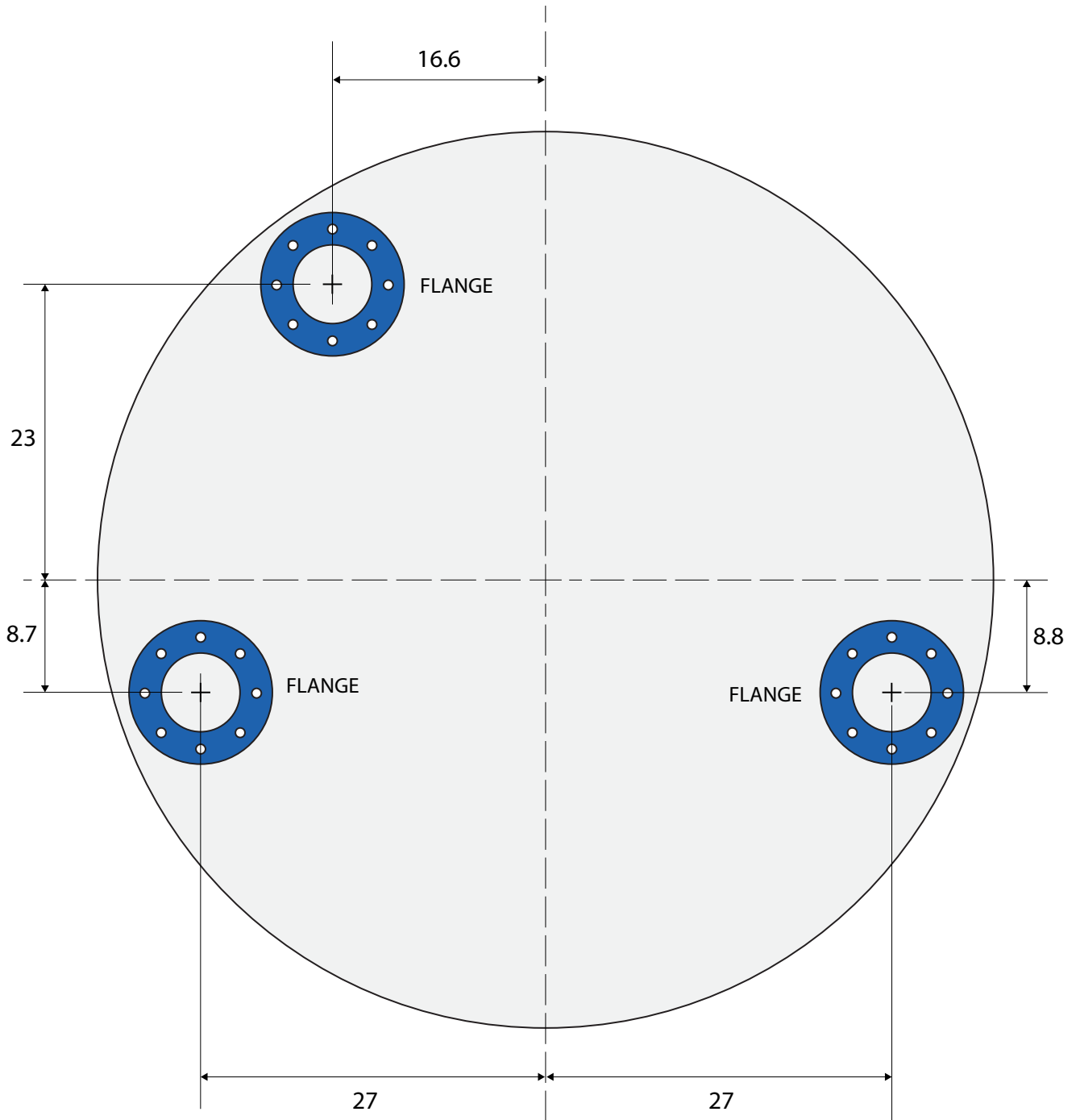
Components Connecting



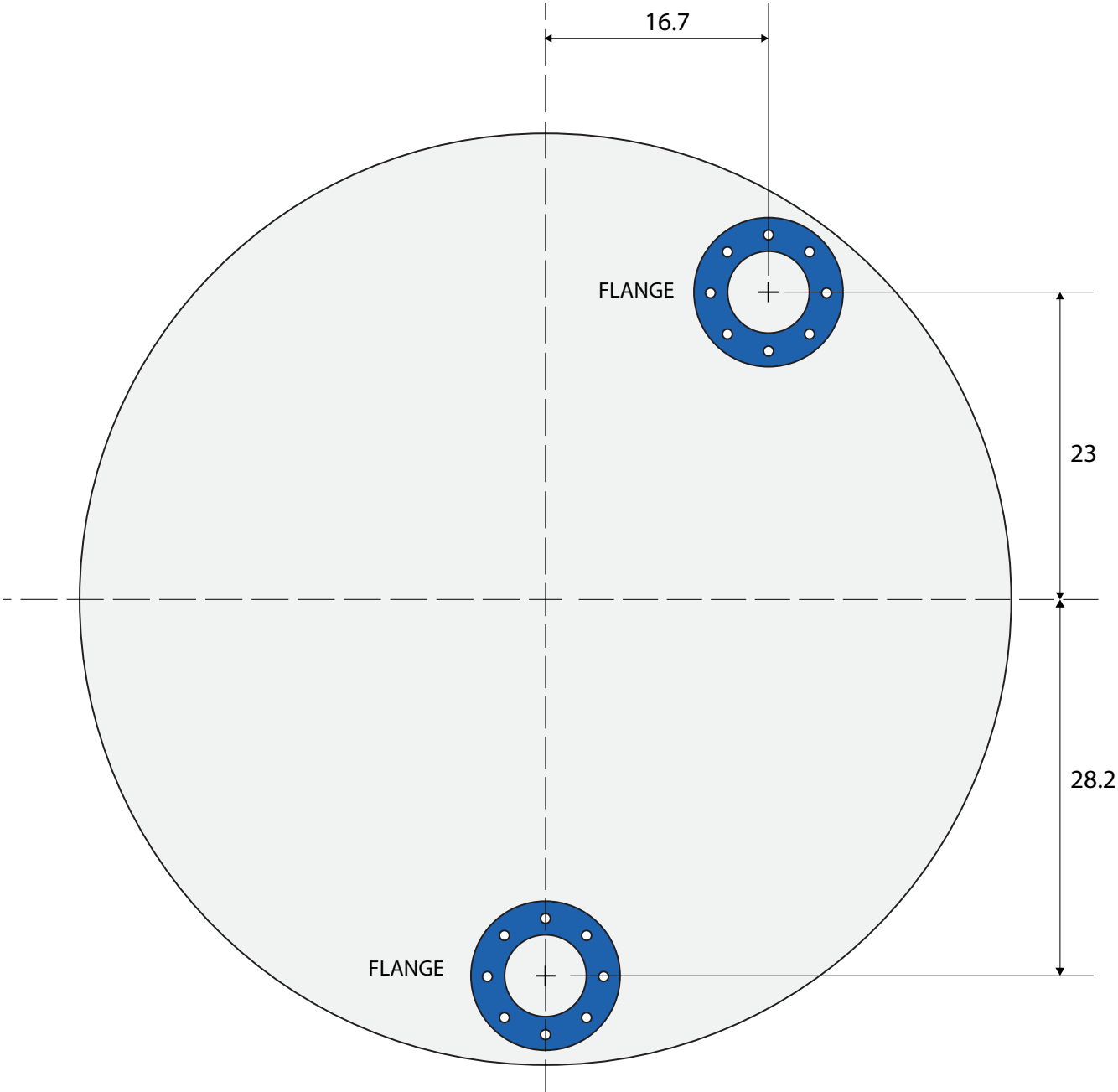
Display Plan



Floor Plan

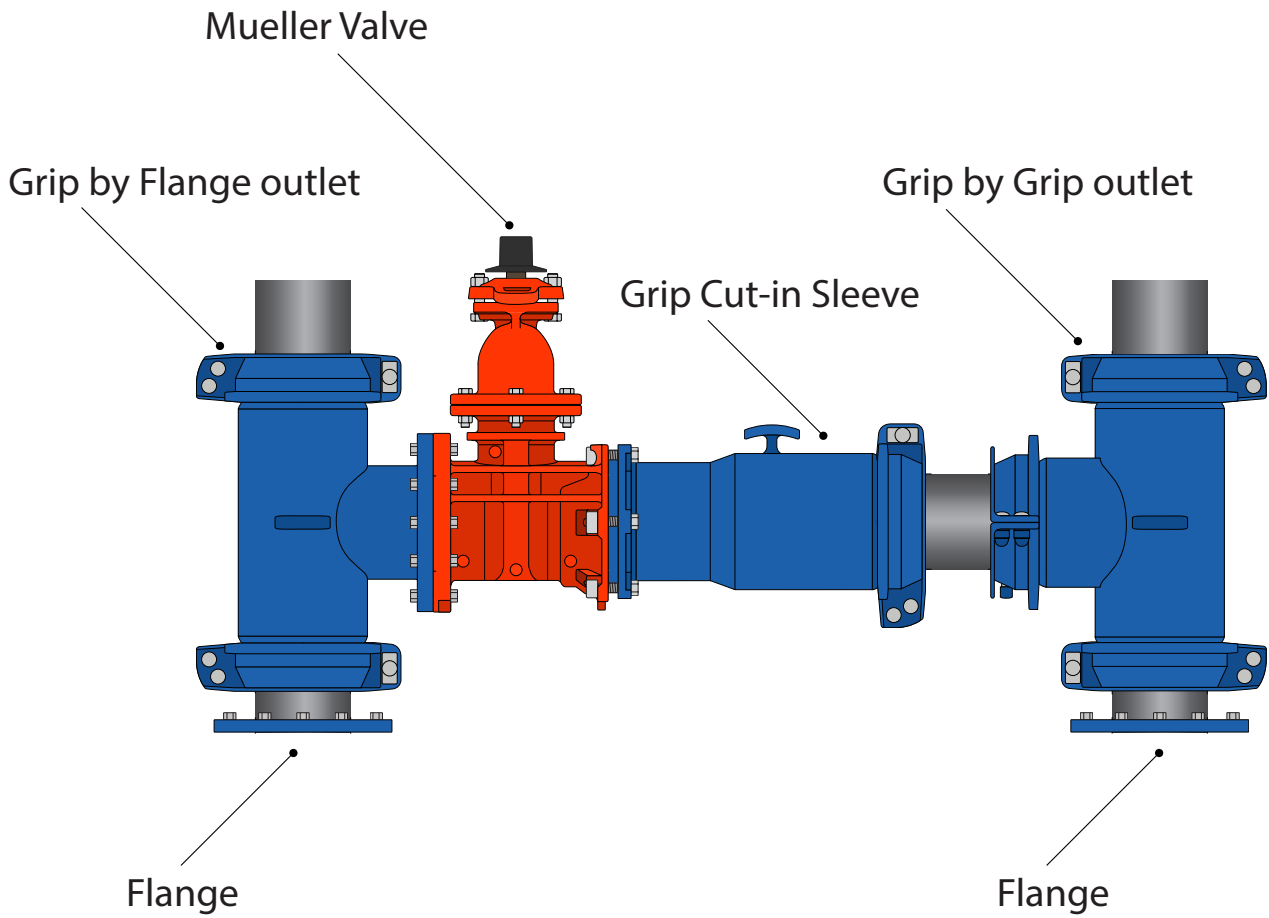


Ceiling Plan



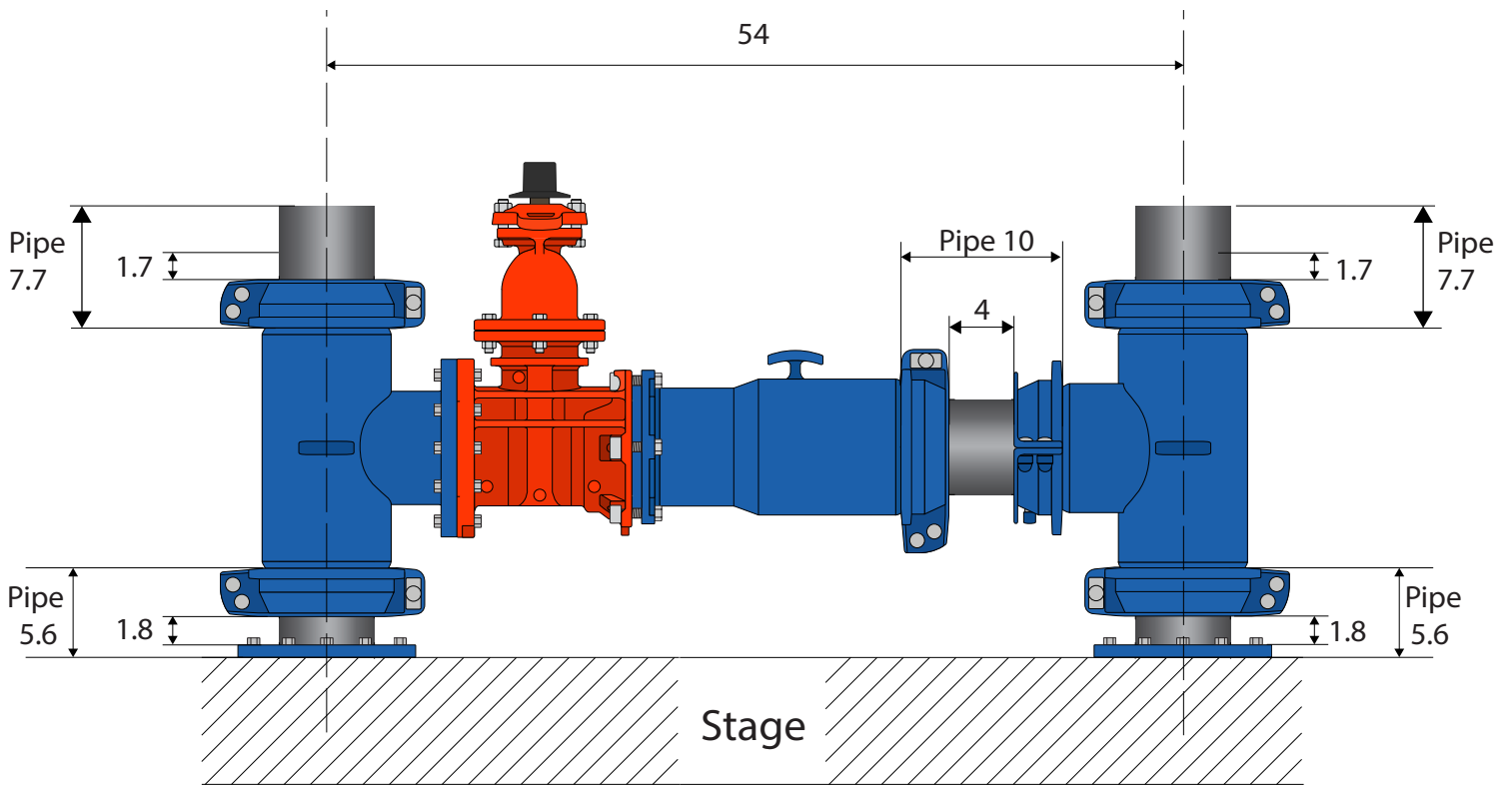
Plan A - Products

Pipes and Products - 6 inch



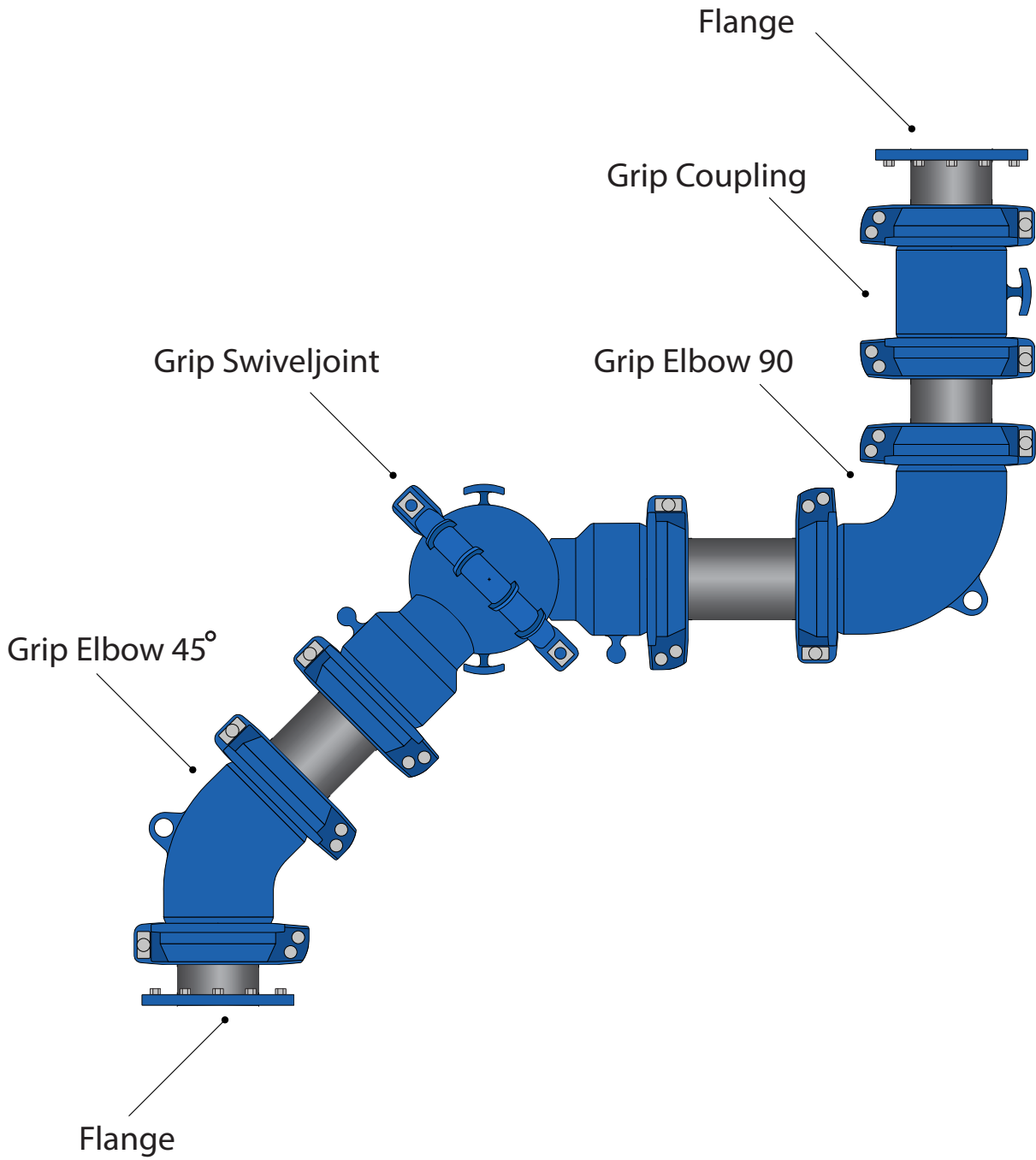
Plan A - Dimensions

Pipes and Products - 6 inch



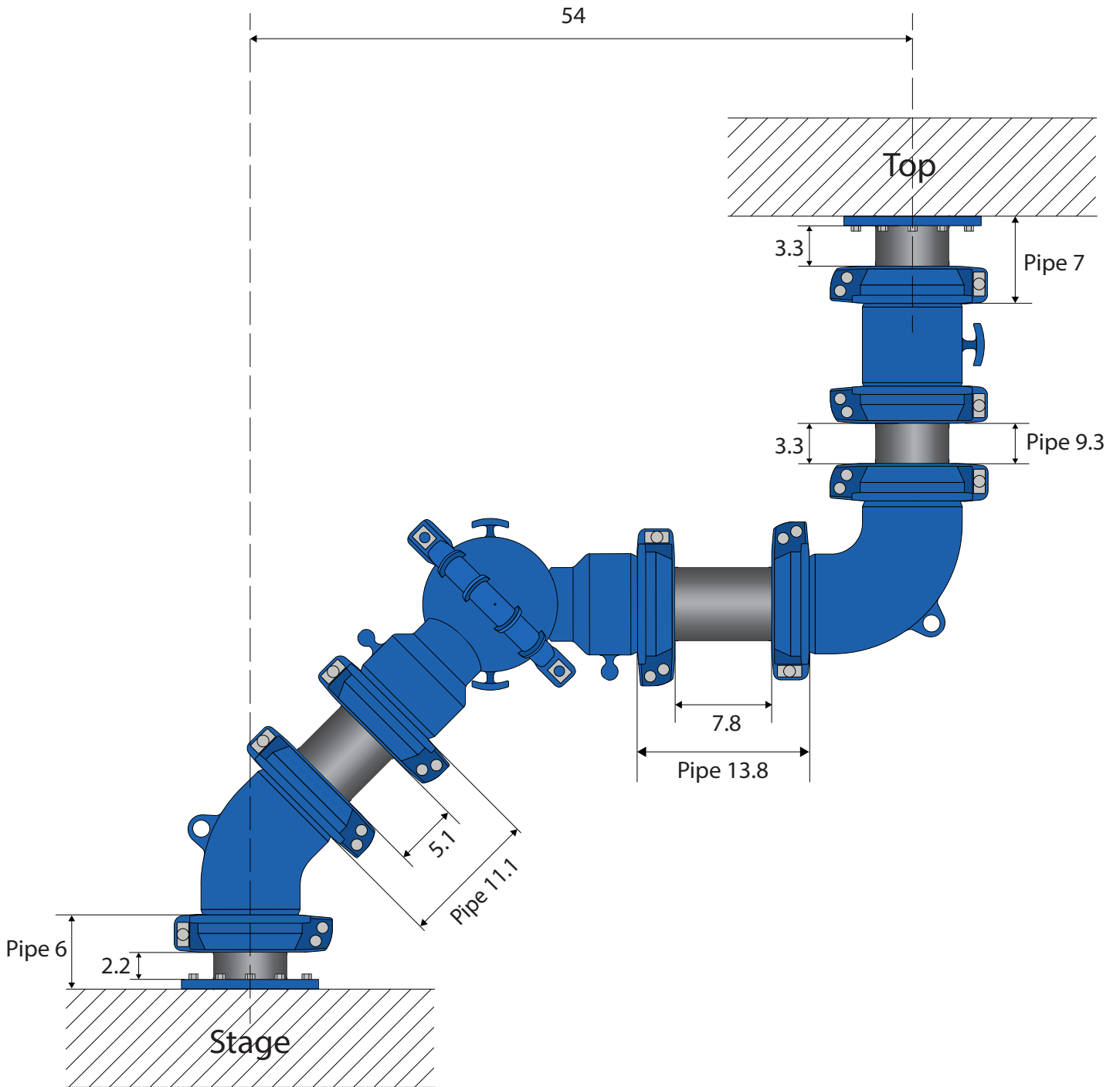
Plan B - Products

Diameter of Pipes and Products = 6 inch



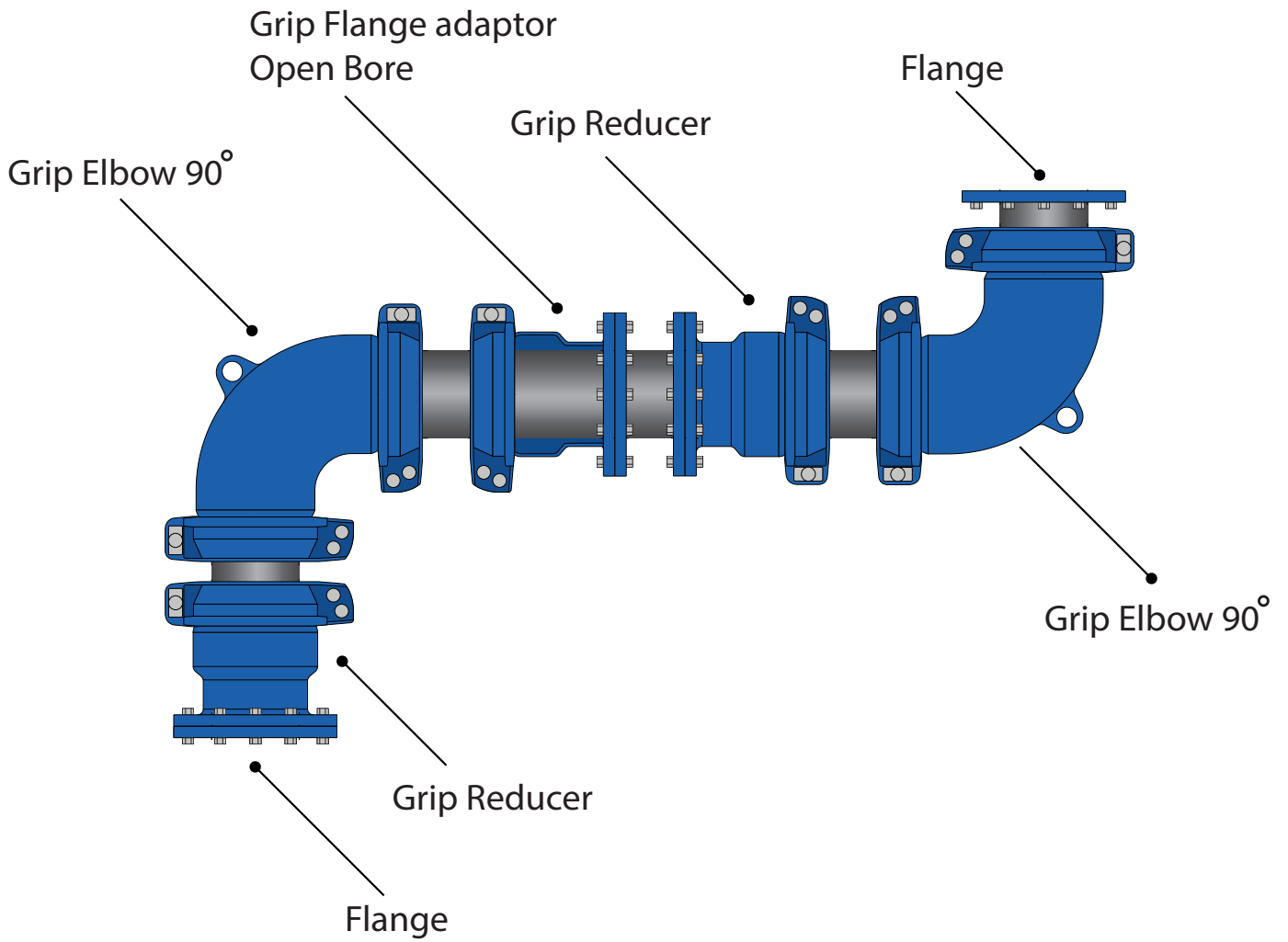
Plan B - Dimensions

Diameter of Pipes and Products = 6 inch



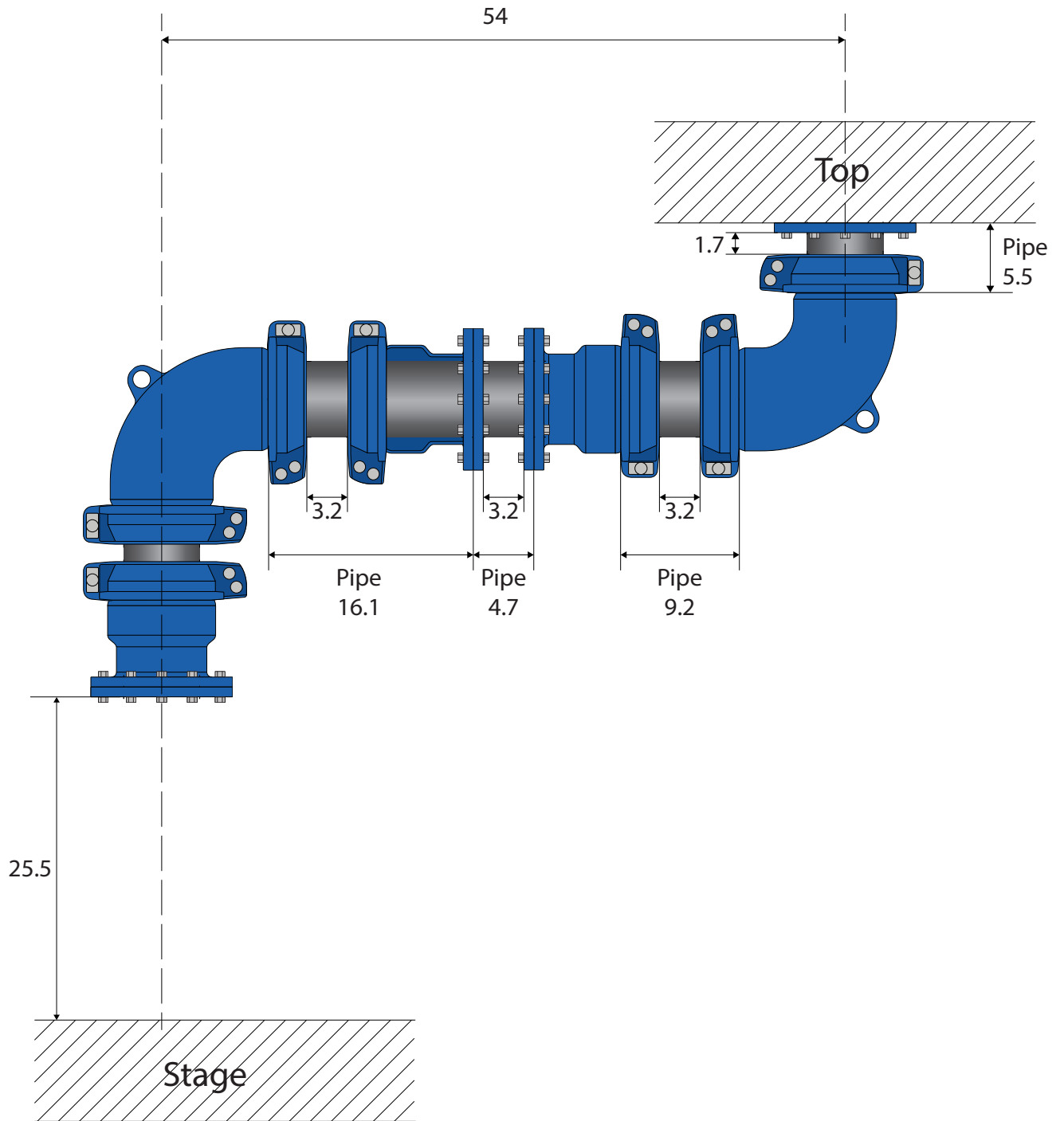
Plan C - Products

Diameter of Pipes and Products = 6 inch



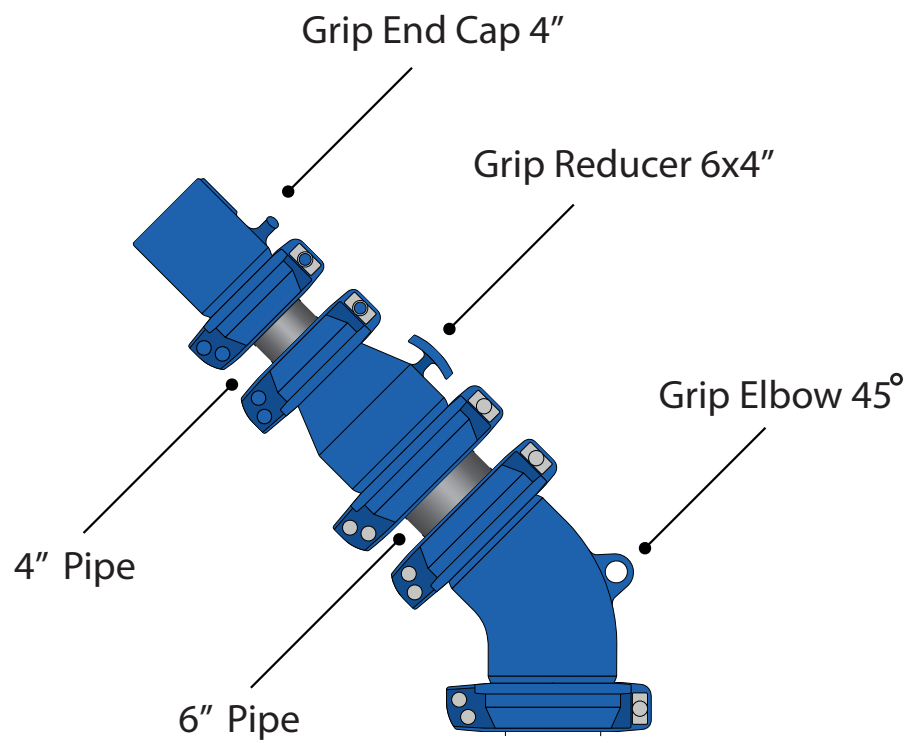
Plan C - Dimensions

Diameter of Pipes and Products = 6 inch



Plan D - Products

Diameter of Pipes and Products = 6 + 4 inch



Plan D - Dimensions

Diameter of Pipes and Products = 6 + 4 inch

