



## HYMAX® COUPLING LONG BODY<sup>1</sup>(DN40 - DN1500) PRODUCT SPECIFICATIONS

### FEATURES

- GAME-CHANGING WIDE-RANGE COUPLING, PROVEN IN MILLIONS OF INSTALLATIONS WORLDWIDE
- SUITABLE FOR ALL PIPES - DUCTILE IRON, CAST IRON, STEEL, PE, PVC, AC, GRP
- PATENTED PROGRESSIVE PRESSURE-ASSISTED GASKET WITH 2-STAGE SEALING
- LONG BODY FOR EXTRA SIZE FLEXIBILITY
- LIGHTWEIGHT CONSTRUCTION ENABLES FAST AND EASY INSTALLATION
- ALLOWS 4° DYNAMIC DEFLECTION ON EACH END, REDUCING FUTURE PIPE DAMAGE
- ONE PRODUCT CAN CONNECT PIPES OF TWO DIFFERENT MATERIALS

### SPECIFICATIONS<sup>2</sup>

#### STANDARDS<sup>3</sup>

ALL PRODUCTS MEET OR EXCEED STANDARDS NSF-61 AND NSF-372.  
PRODUCTS UP TO DN 300 WERE APPROVED BY 3RD PARTY ILAC LAB ACCORDING TO EN 14525.

#### SIZE

AVAILABLE IN NOMINAL DIAMETER SIZES 40mm – 1500mm.

#### MATERIALS

##### END RINGS

40mm – 300mm: S235JR GRADE STEEL, IN ACCORDANCE WITH EN 10025-2 (DIN 17100).  
350mm – 400mm: S235JR GRADE STEEL, IN ACCORDANCE WITH EN 10025-2 (DIN 17100).  
(OR DUCTILE IRON CASTING ASTM A536 GRADE 65-45-12).  
450mm – 1500mm: S235JR GRADE STEEL, IN ACCORDANCE WITH EN 10025-2 (DIN 17100).

##### CENTER RING

40mm – 300mm: P235 GRADE STEEL, IN ACCORDANCE WITH EN 10217-1.  
350mm – 1500mm: S235JR GRADE STEEL, IN ACCORDANCE WITH EN 10025-2 (DIN 17100).

##### GASKET

EPDM COMPOUNDED FOR WATER AND SEWERAGE. MEETS INTERNATIONAL STANDARDS FOR CONTACT WITH DRINKING WATER: NSF-61, NSF-372, KTW-UBA Elastomer guideline, W270, XP P 41-250, AS/NZS 4020, AND BS 6920. MEETS DIN EN 681-1 FOR WATER AND DRAINAGE APPLICATIONS.

##### BRIDGE

AISI 304/316 STAINLESS STEEL.<sup>4</sup>

##### SPHERICAL SPACERS

AISI 304L/316 STAINLESS STEEL.<sup>4</sup>

##### COATING

100% FUSION BONDED EPOXY FOR ENHANCED CORROSION PROTECTION. MINIMUM THICKNESS 250 MICRON. MEETS NSF-61, NSF-372, BRL-K759, BS 6920, W270, ONORM B 5014-1, XP P 41-250, AS/NZS 4020, UBA-COATINGS GUIDELINE, AND GSK.

##### NUTS AND BOLTS

AISI 304/316 STAINLESS STEEL<sup>4</sup> . ROLLED THREAD AND ANTI-GALLING COATING.

<sup>1</sup> The product is protected by various patents registered in various countries.

<sup>2</sup> For details about Made to Order (MTO) products please contact your KRAUSZ distributor.

<sup>3</sup> For the updated status of the product standards, please contact your local KRAUSZ representative.

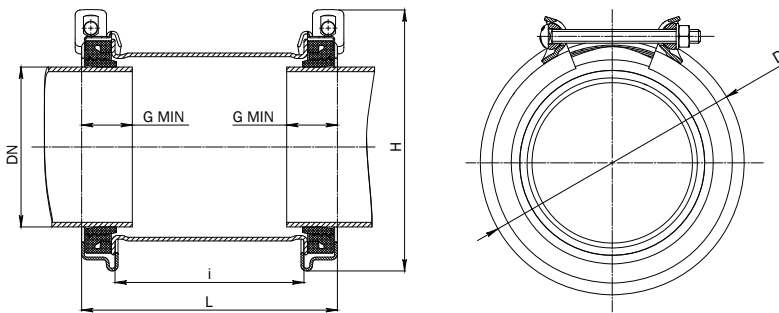
<sup>4</sup> Sizes DN40-DN300 available in AISI 316 stainless steel.

# PRODUCT PERFORMANCE

<b>WORKING TEMPERATURE</b>	<b>EPDM GASKET</b>		<b>EPOXY COATING</b>	
	CONTINUOUS OPERATION   -30°C UP TO +85°C		ABOVE GROUND APPLICATIONS   UP TO +50°C	
	SHORT TIME OPERATION   -30°C UP TO +100°C		BELOW GROUND APPLICATIONS   UP TO +65°C	
<b>DYNAMIC DEFLECTION</b>	<b>UP TO 4° PER SIDE</b>			
<b>MIN. PIPE INSERTION</b>	<b>40mm – 300mm</b>	<b>350mm – 600mm</b>	<b>650mm – 1500mm</b>	
	55mm	140mm	150mm	
<b>MAXIMUM OFFSET FOR MISALIGNED PIPES</b>	<b>40mm – 80mm</b>	<b>100mm – 1500mm</b>		
	10mm	13mm		
<b>MAXIMUM OUT OF ROUNDNESS</b>	<b>40mm</b>	<b>50mm – 80mm</b>	<b>100mm – 300mm</b>	<b>350mm – 1500mm</b>
	2mm	5mm	8mm	13mm
<b>WORKING PRESSURE</b>	<b>40mm – 600mm</b>	<b>650mm – 1500mm</b>		
	16 BAR	SEE TABLE BELOW FOR DETAILS		
<b>RATED PRESSURE</b>	<b>1.5 X WORKING PRESSURE</b>			
<b>VACUUM TEST</b>	<b>0.8 BAR</b>			

## PRODUCT TABLES

### HYMAX Long Body Coupling 40-300



X=6 -> 304 STAINLESS STEEL

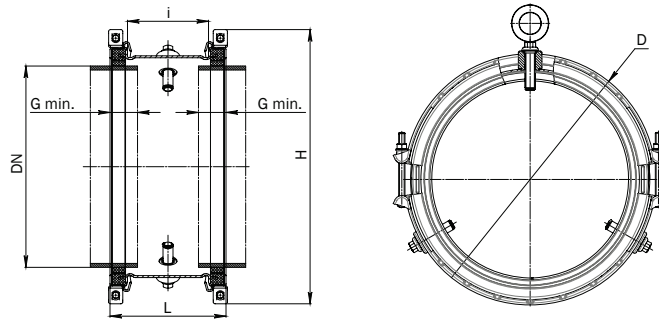
X=7 -> 316 STAINLESS STEEL

### HYMAX LONG BODY NOMINAL SIZES 40-300mm

Krausz Part Number	DN (mm)	Overall Range (mm)	Before removal of inner layer (mm)	After removal of inner layer (mm)	D (mm)	H (mm)	i (mm)	L (mm)	Bolts Qty. -Size	Torque (Nm)	Approx. Weight (kg)
862-82X-0041-16	40	41-54	41-50.5	50-54	100	130	192	250	2 -M12	45	3.3
862-82X-0054-16	50	54-77	54-66	65-77	133	165	192	267	2 -M12	60	3.7
862-82X-0088-16	80	88-108	88-99	98-108	170	200	292	367	2 -M12	60	6.4
862-82X-0108-16C	100	108-143	108-126	125-143	220	250	292	365	2 -M14	80	9.5
862-82X-0130-16	125	130-162	130-146	145-162	240	270	402	475	2 -M14	80	12.5
862-82X-0158-16	150	158-190	158-174	173-190	270	295	402	475	2 -M14	80	14.0
862-82X-0163-16	150 o.s.	163-195	163-179	178-195	273	298	402	475	2 -M14	80	14.7
862-82X-0190-16	175	190-222	190-206	205-222	298	325	402	475	2 -M14	80	16.4
862-82X-0217-16	200	217-250	217-233	232-250	328	355	402	475	2 -M14	80	19.1
862-82X-0272-16	250	272-305	272-289	288-305	382	408	402	475	2 -M14	80	22.7
862-82X-0278-16	250 o.s.	278-311	278-295	294-311	388	415	402	475	2 -M14	80	24.1
862-82X-0315-16	300	315-347	315-331	330-347	422	445	402	475	2 -M14	80	24.5
862-82X-0334-16	300 o.s.	334-366	334-350	349-366	440	465	402	475	2 -M14	80	25.4

## PRODUCT TABLES

### HYMAX Long Body Coupling 350-600



### HYMAX LONG BODY NOMINAL SIZES 350-600mm

Krausz Part Number	DN (mm)	Overall Range (mm)	Before removal of inner layer (mm)	After removal of inner layer (mm)	D (mm)	H (mm)	i (mm)	L (mm)	Bolts Qty. -Size	Torque (Nm)	Approx. Weight (kg)
862-825-0378-16P	350	378-434	378-408	406-434	534	600	370	460	4 -M16	200	48.5
862-825-0434-16P	400	434-488	434-462	460-488	588	655	370	460	4 -M16	200	56.0
862-825-0488-16P	450	488-542	488-516	514-542	642	705	370	460	4 -M16	200	60.0
862-825-0540-16P	500	540-594	540-568	566-594	694	760	370	460	4 -M16	200	64.0
862-825-0606-16P	600	606-660	606-634	632-660	760	825	370	460	4 -M16	200	72.0
862-825-0624-16P	600 o.s.	624-678	624-652	650-678	778	845	370	460	4 -M16	200	74.0

### HYMAX LONG BODY NOMINAL SIZES 650-1500mm(\*)

DN - 650 up to 1500 mm with range of 54 mm	DN (mm)	Bolts Qty. -Size	Torque (Nm)	Working Pressure (bar)	Rated Pressure (bar)
	650-900	4-1"NCx350	300	12	18
	900-1000	4-1"NCx350	400	12	18
	1000-1300	4-1"NCx350	400	10	15
	1300-1350	4-1"NCx350	450	10	15
	1350-1500	4-1"NCx350	450	8	12

\* Contact your KRAUSZ distributor for more details.

Discover the Right Coupling for  
your Repair and Installation Needs.  
Scan the QR Code to Get Started



*For more information about us, or to view our full line of products, please visit [www.krausz.com](http://www.krausz.com)  
or call Customer Service at Tel: +972 (0)3 5154000 Fax: +972 (0)3 5183293 [infokrausz@muellerwp.com](mailto:infokrausz@muellerwp.com). 1 Harav Mantzura Str. Rosh Haayin, Israel 4850001*

Mueller refers to one or more of Mueller Water Products, Inc. a Delaware corporation ("MWP"), and its subsidiaries. MWP and each of its subsidiaries are legally separate and independent entities when providing products and services. MWP does not provide products or services to third parties. MWP and each of its subsidiaries are liable only for their own acts and omissions and not those of each other. MWP brands include Mueller®, Echologics®, Hydro Gate®, Hydro-Guard®, HYMAX®, i2D®, Jones®, Krausz®, Mi.Net®, Milliken®, Pratt®, Pratt Industrial®, Sentryx®, Singer®, and U.S. Pipe Valve & Hydrant. Please see [muellerwp.com/brands](http://muellerwp.com/brands) and [krausz.com](http://krausz.com) to learn more.

© 2024 Mueller Co., LLC. All Rights Reserved. The trademarks, logos and service marks displayed in this document are the property of Mueller Co., LLC., its affiliates or other third parties. Products above marked with a section symbol (§) are subject to patents or patent applications. For details, visit [www.mwppat.com](http://www.mwppat.com). These products are intended for use in potable water applications. Please contact your HYMAX Sales or Customer Service Representative concerning any other application(s).

PS0020 REV 10/2024

